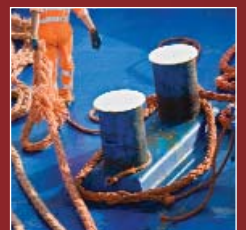
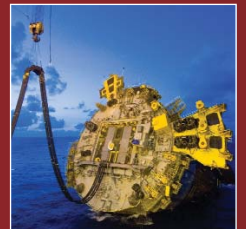
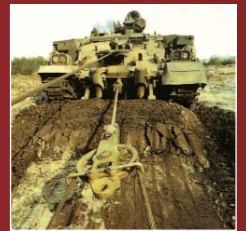


# Ansell Jones Ltd.



**GLOBAL SOLUTIONS** – DESIGNING AND MANUFACTURING MECHANICAL HANDLING SOLUTIONS FOR THE ENERGY INDUSTRY



**PRODUCT CATALOGUE**

# Introduction

**Ansell Jones was founded in 1845. A long history spanning more than 160 years has seen Ansell Jones established as a world leader in the design and manufacture of high quality lifting and mooring equipment. Over many years the products have been proven to withstand the most harsh operating environments in the safety critical offshore and marine industries.**



The product range is vast and encompasses many unique and innovative specialist products, including:

- **Sparkproof cranes and hoists**
- **Blocks, sheaves and swivels**
- **Shackles, hooks and forgings**
- **Deck fittings and hardware**
- **Repair and refurbishment**

## Design Solutions

In addition to its vast product range, Ansell Jones incorporates its unsurpassed experience into bespoke design solutions, meeting the specific demands of each application.

Engineering and Design department facilities include the latest computer aided design and finite element analysis, ensuring that products provide reliable high performance operation in the harsh environments in which they are often required to operate.

## Manufacturing Capability

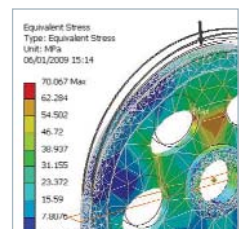
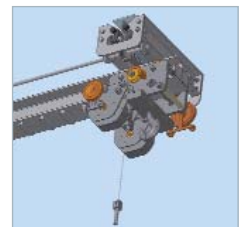
Ansell Jones' manufacturing capabilities combine a range of production skills with the very latest technology. The result is world-leading standards of quality and excellence, as embodied in our Quality Assurance Procedures.

## Quality

Ansell Jones is justifiably proud of its record for quality, which can be seen throughout its product range. These high standards clearly testify to the concerted efforts of the workforce and the firm belief that only the best will do.

To ensure that every effort is taken to conform in precise detail to the specification laid down, this commitment is embodied in our Quality Management System, complying and approved to ISO 9001.

That these standards are achieved and exceeded is illustrated by the extensive list of authorities with whom we work including Lloyds Register, Bureau Veritas, Det Norske Veritas and American Bureau of Shipping.





# Contents

## Offshore and Nuclear Products 4-13

Offshore Custom-built Crane Blocks . . . . .	6
Crane Blocks . . . . .	7
Offshore Weighted Swivels . . . . .	8
Deck Blocks . . . . .	9
Wire Rope Carpenter Stoppers . . . . .	10
BS2903 Hook Profiles . . . . .	11
DIN Standard Hooks . . . . .	12

## Rigging Blocks 14-23

Model 601s - Snatch Block . . . . .	16
Universal Cargo Blocks . . . . .	17
Model No.75. . . . .	18
London Pattern Fibre Rope Blocks . . . . .	19
Aerial Ropeway (Manriding). . . . .	20
Thrust Bearing Swivels . . . . .	21
Ministry of Defence (MOD) . . . . .	22

## Sheaves 24-27

Sheaves. . . . .	25
Supasheaves . . . . .	26

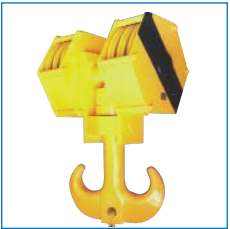
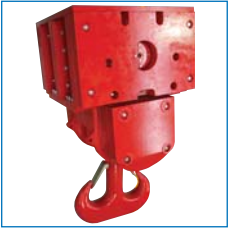
## Sparkproof Range 28-37

Hook Suspension Chain Hoist . . . . .	30
Adjustable Beam Trolleys . . . . .	31
Articulated Chain Hoist . . . . .	32
Low headroom Chain Hoist . . . . .	33
Stainless Steel Hook Suspension Chain Hoist . . . . .	34
Stainless Steel Beam Trolleys . . . . .	34
Cranes and Lifting Frames. . . . .	35
Sparkproof Floor Trolley . . . . .	36

## Mooring Products 38-52

Multi-angled Fairleads . . . . .	40
Chain Stopper and Plinth . . . . .	42
Smit Brackets. . . . .	43
Cruciform Bollards . . . . .	44
Ships Bollards - BSMA 12 . . . . .	45
Ships Bollards - VIS 1. . . . .	46
Ships Bollards - NS2584 . . . . .	47
Bulwark Mounted Products . . . . .	48
Deck Mounted Products . . . . .	50
Mooring Rollers . . . . .	52
Pedestal Rollers . . . . .	52





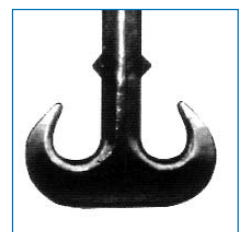
# Offshore and Nuclear Products

**At Ansell Jones we manufacture a range of offshore and nuclear lifting products specifically designed for the safety critical and often hazardous environments in which they are required to operate.**

The majority of our products in this section are custom built to our client's exact specifications often to rules set out by third party certifying authorities such as Lloyds and DNV.

The products utilise a range of materials to give the mechanical properties that the project requires. Paint and other finishes are selected to ensure the long life of the product.

All of our range is manufactured in the UK and 100% tested to highly demanding procedures before being put into service.



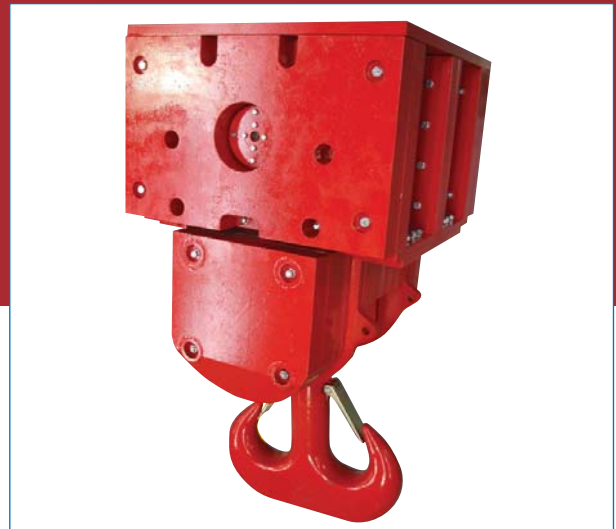
## Offshore Custom-built Crane Blocks

**Ansell Jones designs and manufactures crane blocks to specified capacities and tailored to customers' individual requirements.**

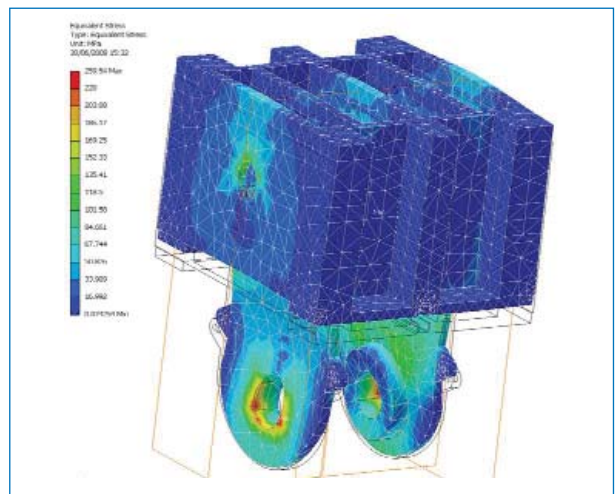
All crane blocks can be designed for working conditions in low temperature offshore environments and supplied fully certified to 3.1 as standard or 3.2 levels of traceability if required. All items are fully tested to our client's specification. In addition Ansell Jones can work in-conjunction with 3rd parties such as DNV, Lloyds, Germanischer Lloyd, API and ABS.

Ansell Jones offshore crane blocks are painted to our full offshore paint specification as standard or can be painted to suit your own required specification.

**All Offshore Crane Blocks can be made to your exact specifications, please call +44 (0)121 568 3420 for more information.**



500T SWL Offshore Crane Block



Finite Element Analysis of 500T Crane Block



160T SWL Offshore Crane Block



75T SWL Offshore Crane Block

## Crane Blocks

**Ansell Jones design and manufacture a wide variety of crane blocks including electric overhead travel blocks, mobile blocks, and also blocks for heavy industries such as steel works, construction, nuclear and other power generation sectors.**

Ansell Jones nuclear crane blocks are designed to meet all the relevant safety guidelines for lifting equipment in a nuclear environment. Material certification to 3.1 and 3.2 levels of traceability is available on request.

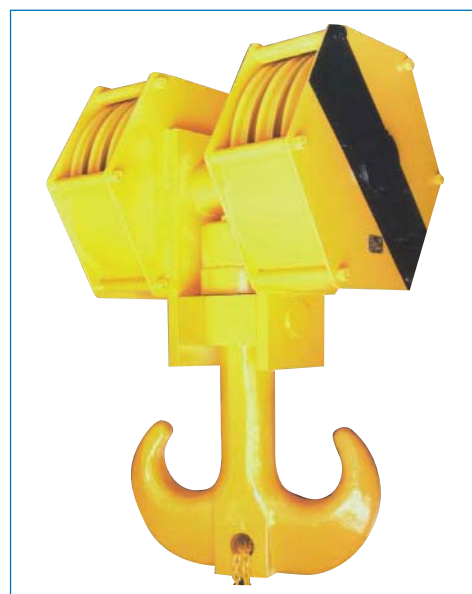
As all our onshore crane blocks are designed and manufactured in house they can be designed to refit an existing crane or for any new build project. They are all supplied complete with proof load test certificates.

Ansell Jones can also refurbish crane blocks to prolong service life.

**All Crane Blocks can be made to your exact specifications, please call +44 (0)121 568 3420 for more information.**



Double Sheave Mobile Crane Block



Electric Overhead Travel Block



Mobile Crane Block

## Offshore Weighted Swivels

These are designed to bear a load while still allowing rotation and removing twisting movements.

All offshore swivels are designed and manufactured with the harsh offshore conditions in mind. They are fitted with bearings and supplied with 3.1 material certification as standard. 3.2 material certification is also available on request.

Offshore swivels are designed to our clients exact required weight to ensure the correct tension in the wire rope system. They can be designed to any size or SWL and accommodate any temperature requirement for even the most ambitious offshore projects. Our strength is in our flexibility to design and manufacture exactly what our clients require without compromise.

All offshore swivels are made in the UK and are 100% tested and certified. In addition Ansell Jones can work in conjunction with 3rd parties such as DNV, Lloyds, Germanischer Lloyd, API and ABS through the design, manufacture and testing stages.

**All Offshore Weighted Swivels can be made to your exact specifications, please call +44 (0)121 568 3420 for more information.**



10T SWL Offshore Weighted Swivel



Offshore Weighted Swivel with Self-locking Hook

## Deck Blocks

Our range of deck blocks are designed and manufactured to accommodate our customers full requirements. The blocks can be of fixed or pivoting design, depending on the application.

All units can be fitted with load cells to monitor loading or a decoder to monitor wire rope payout/in.

Our deck blocks are generally mounted using a welded or bolted base plate. This can be designed to accommodate existing mountings for retrofit, or to accommodate space and loadings required.

They can be designed and manufactured to meet the needs of the project with any type of sheave to suit any loading, and supplied fully certified to 3.1 or 3.2 levels of traceability.

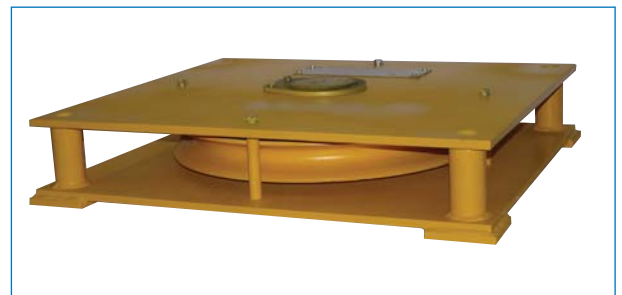
Offshore or low temperature blocks can also be manufactured to DNV, Lloyds, API and ABS rules.

All equipment is designed and manufactured inhouse, giving us the flexibility to provide our customers with exactly what is needed without compromise.

**All Deck Blocks can be made to your exact specifications, please call +44 (0)121 568 3420 for more information.**



Vertical Deck Block



Horizontal Deck Block



Flag Block



Vertical Deck Block with Load Pin for Diving Bell System

# Wire Rope Carpenter Stoppers

This is a portable method of gripping and holding a steel wire rope without causing kinks or damaging the rope.

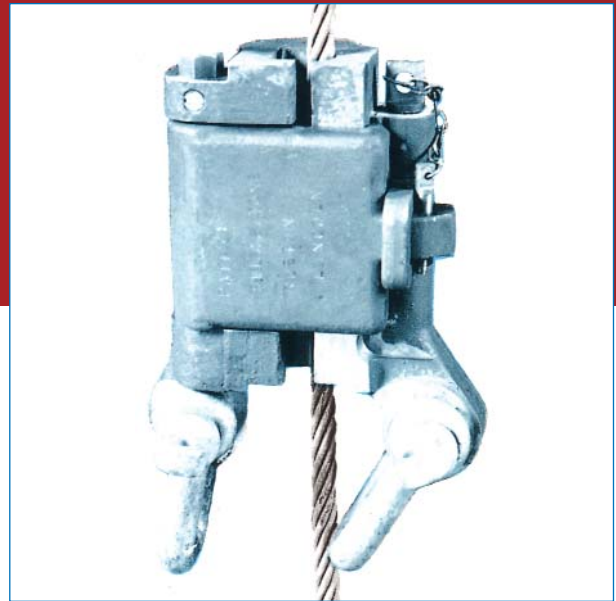
The rope sits inside a cast wedge manufactured to accommodate the specified wire rope size. As the load is applied to the wire rope the wedge slides deeper into the tapered housing.

The stopper is designed so that it can be opened and closed by one man offering portability, safety, reliability and versatility.

## Standard features

- Proofloaded to 1.5 x SWL
- Manufactured to suit wire sized from 8mm to 76mm
- Larger sizes available upon request
- UK manufactured
- 100% tested and certified.

**All Carpenter Stoppers can be made to your exact specifications, please call +44 (0)121 568 3420 for more information.**



**Specifications - Carpenter Stopper**

Pattern	Wedge	Rope Diameter		Proof Load tonnes	Recommended S.W.L. tonnes
		Metric	Imperial		
17MK III	A	76	3	112.5	75
		72	2 13/16		
	B	68	2 11/16	82.5	55
		64	2 1/2		
18MK III	A	64	2 1/2	82.5	55
		60	2 3/8		
19MK III	A	56	2 1/4	60	40
		54	2 1/8		
20MK III	A	52	2	52.5	35
		48	1 7/8		
21MK III	A	44	1 3/4	37.5	25
		40	1 4/7		
	B	38	1 1/2	25.5	17
		36	1 13/32		
	C	35	1 3/8		
		32	1 1/4		
D	30	1 3/16			
23MK III	A	28	1 1/8	15	10
		26	1		
	B	24	15/16		
		22	7/8		
24MK III	A	20	13/16	7.5	5
		19	3/4		
		18	11/16		
	B	16	5/8		
		14	9/16		
		13	1/2		
	C	12	15/32	3.75	2.5
		11	7/16		
		10	13/32		
		D	9		
8	5/16				

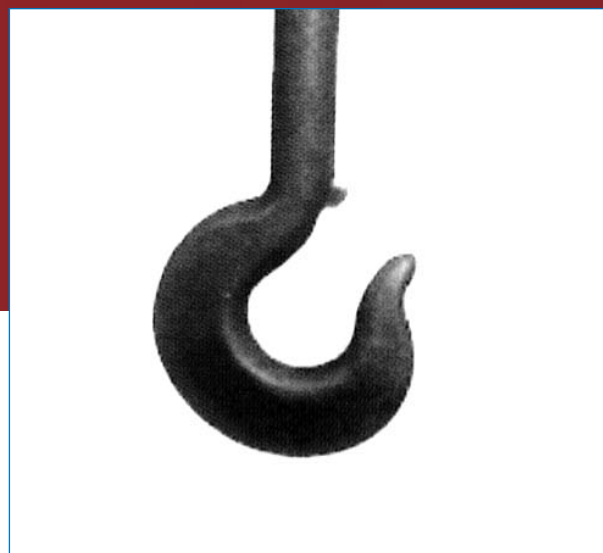
## BS2903 Hook Profiles

As these are normally made to order items, hook profiles to BS2903 forged from 150M19 steel, are supplied machined to your requirements.

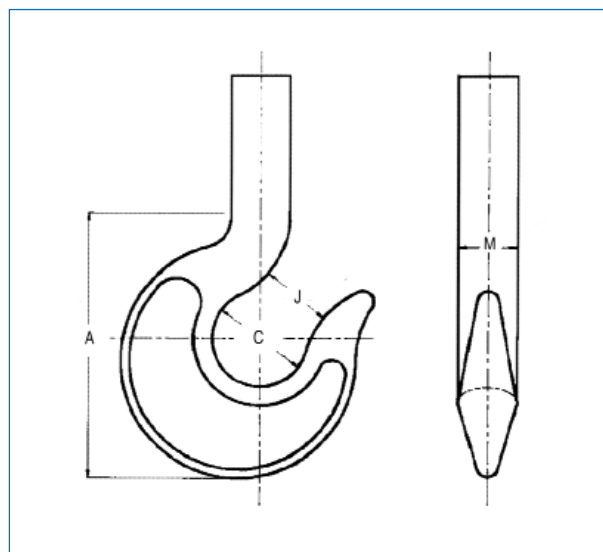
BS2903 hook profiles generally feature a larger profile than the equivalent DIN Hook and are supplied as the forging only or machined to your specifications. They can also be manufactured as full assemblies complete with nut and collar.

All hooks can be supplied with proof load test certificates and material certification to 3.1 and 3.2 levels of traceability.

The size of the hook profile required is directly related to the drive group of the crane. The SWL column in the table assumes that the drive group of the crane is M4/M5 duty. For cranes with a different drive group please contact us and we will be happy to advise on the size profile required.



Point Hook BS2903

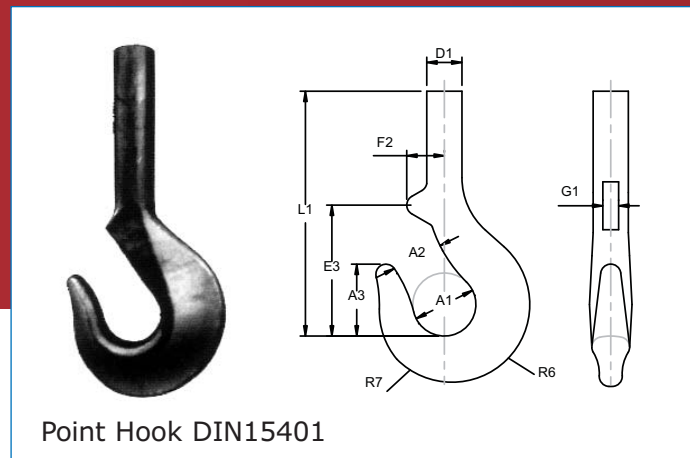


### Specifications - Point Hook BS2903

SWL Te	mm A	mm C	mm J	mm M	Weight Kg
6.3	228	83	62	50	16
8	253	92	69	55	20
10	283	103	77	62	25
12.5	322	117	88	70	32
16	360	131	98	79	40
20	401	146	110	88	50
25	437	159	119	95	59
32	476	173	130	104	69
40	525	191	143	115	81
50	564	205	154	123	97
63	618	225	169	135	118
80	679	247	185	148	142
100	748	272	204	163	173

**All BS2903 Hooks can be made to your exact specifications, please call +44 (0)121 568 3420 for more information.**

## DIN Standard Hooks



DIN hooks are used in a wide variety of applications ranging from small rigging blocks, hoists and lifting beams to large cranes.

The forgings are generally a smaller profile than the equivalent BS hook and can be forged with extended shanks to allow for any machining requirements.

We can supply hooks which conform to DIN standards 15401 for Point Hooks and DIN15402 for Ramshorn Hooks. The range of hook profiles that we can supply are listed in the following tables. The size of the

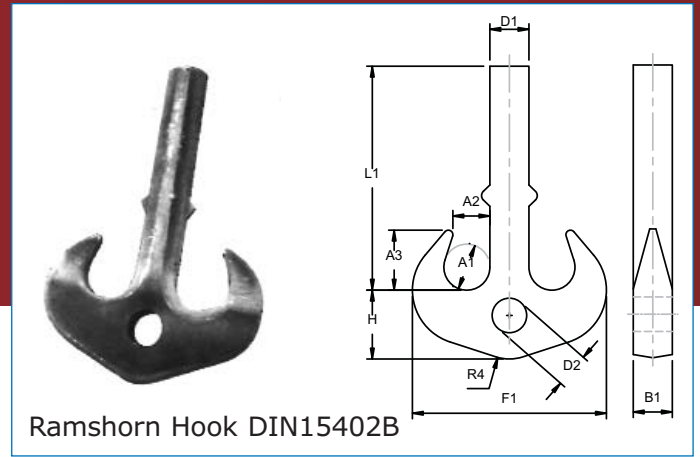
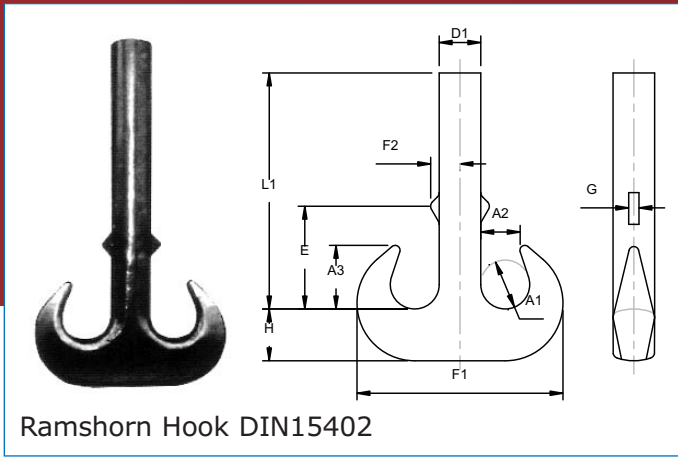
hook profile required is directly related to the SWL and drive group of the crane. For more information on choosing the correct hook profile please contact us on +44 (0)121 568 3420.

We can supply hooks as forging only or machine them to your exact requirements. We can also manufacture the full assemblies complete with nut and collar.

All hooks can be supplied with proof load test certificates and material certification to 3.1 and 3.2 levels of traceability.

### Specifications - Point Hook DIN15401

Hook No.	mm A1	mm A2	mm A3	mm D1	mm E3	mm F2	mm G1	mm L1	mm R6	mm R7	Weight Kg
1	50	40	57	30	105	-	12.5	197	65	60	3.2
1.6	56	45	64	36	118	-	14	224	76	68	4.5
2.5	63	50	72	42	132	-	16	253	90	78	6.3
4	71	56	80	48	148	-	16	285	103	90	8.8
5	80	63	90	53	165	-	18	318	114	100	12.3
6	90	71	101	60	185	-	18	380	131	112	17.1
8	100	80	113	67	210	-	23	418	146	125	24
10	112	90	127	75	221	46	23	452	163	140	34
12	125	100	143	85	252	53	28	510	182	160	47
16	140	112	160	95	280	58	33	582	204	180	66
20	160	125	180	106	330	68	33	665	232	200	112
25	180	140	202	118	360	74	38	735	262	224	160
32	200	160	225	132	400	80	38	810	292	250	220
40	224	180	252	150	447	93	42	905	326	280	310
50	250	200	285	170	485	100	42	990	363	315	430
63	280	224	320	190	550	108	45	1120	408	355	600
80	315	250	358	212	598	113	45	1270	460	400	860
100	355	280	402	236	688	130	50	1415	516	450	1220
125	400	315	450	265	750	138	50	1590	579	500	1740
160	450	355	505	300	825	147	55	1790	654	560	2480
200	500	400	565	335	900	154	55	2048	729	630	3420
250	560	450	635	375	980	164	60	2305	815	710	4800



**Specifications - Ramshorn Hook DIN15402**

Hook No.	mm A1	mm A2	mm A3	mm D1	mm E	mm F1	mm F2	mm G	mm H	mm L1	Weight Kg
20	125	100	163	106	265	531	75	33	132	650	99.5
25	140	112	182	118	315	598	86	33	150	715	138
32	160	125	205	132	335	672	94	38	170	790	197
40	180	140	230	150	375	754	104	38	190	885	286
50	200	160	260	170	420	842	120	42	212	965	394
63	224	180	292	190	460	944	131	42	236	1090	547
80	250	200	325	212	515	1062	144	45	265	1235	759
100	280	224	364	236	575	1186	157	45	300	1375	1060
125	315	250	408	265	645	1330	178	50	335	1550	1491
160	355	280	458	300	725	1505	198	50	375	1745	2115
200	400	315	515	335	800	1685	218	55	425	1998	3015
250	450	355	580	375	875	1885	240	55	475	2250	4268

**Specifications - Ramshorn Hook DIN15402B**

Hook No.	mm A1	mm A2	mm A3	mm B1	mm D1	mm D2	mm F1	mm H	mm L1	mm R4	Weight Kg
10	90	71	116	75	75	74	377	130	450	85	41
12	100	80	130	85	85	78	421	150	510	95	57
16	112	90	146	95	95	86	471	170	580	106	82
20	125	100	163	106	106	96	531	190	650	118	115
25	140	112	182	118	118	106	598	212	715	132	160
32	160	125	205	132	132	116	672	236	790	150	229
40	180	140	230	150	150	131	754	265	885	170	330
50	200	160	260	170	170	146	842	300	965	190	458
63	224	180	292	190	190	168	944	335	1090	212	638
80	250	200	325	212	212	188	1062	375	1235	236	892
100	280	224	364	236	236	208	1186	425	1375	265	1248
125	315	250	408	265	265	235	1330	475	1550	300	1757
160	355	280	458	300	300	260	1505	530	1745	335	2500
200	400	315	515	335	335	282	1685	600	1960	375	3560
250	450	355	580	375	375	312	1885	670	2210	425	5033

All DIN Standard Hooks can be made to your exact specifications, please call +44 (0)121 568 3420 for more information.



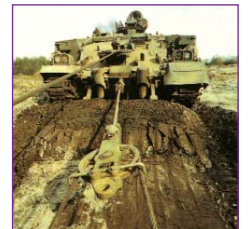
# Rigging Blocks

**At Ansell Jones we have been designing and manufacturing rigging blocks for over 50 years. Over this time our designs have evolved to meet and exceed stringent safety regulations and the needs of our diverse customer base.**

Our engineering knowledge and ability to adapt our products to our client's exact requirements has enabled us to develop a product range suitable for use in a huge variety of applications. We supply all industry sectors from the construction and recovery industry to oil and gas processing facilities

Rigging blocks are manufactured from different materials depending on the operating environment, material certification and load capacity required.

Our rigging blocks are available with a choice of head fittings and sheave sizes to suit your wire rope size. All our blocks are manufactured in the UK and are 100% tested and certified.



## Model 601s - Snatch Block

This is a lightweight, heavy duty type steel snatch block which has many diverse applications and is favoured by the highly demanding offshore and recovery industries. It is fitted with high speed, taper roller bearings on blocks over 4Te capacity and greased through both the headfitting and sheave pin. A secure lock 'R' clip prevents accidental opening and the block has capacities ranging from 2Te to 30Te with various sheave and wire sizes available. This means that there is a model suitable to meet most requirements.

### Standard features

- Lightweight, heavy duty
- Certain sizes are available from stock
- Quick access for rope
- Sheave pin greasing
- Specials available upon request
- UK manufactured
- 100% tested and certified
- Alternative headfitting available on request

**All Snatch Blocks can be made to your exact specifications, please call +44 (0)121 568 3420 for more information.**



Double Sheave Snatch Block



### Specifications

Sheave Dia mm	"	Wire Rope Dia mm	Headload Tonne	
			5:1 FOS	4:1 FOS
76*	3	7-9	1.6	2
114*	4.5	10-12	3.2	4
152*	6	12-14	3.2	4
203*	8	10-12	3.2	4
152	6	20-22	6.4	8
203	8	20-22	6.4	8
254	10	20-22	6.4	8
305	12	20-22	6.4	8
357	14	20-22	6.4	8
406	16	20-22	6.4	8
458	18	20-22	6.4	8
152	6	20-22	9.6	12
203	8	20-22	9.6	12
254	10	20-22	9.6	12
305	12	20-22	9.6	12
357	14	20-22	9.6	12
406	16	20-22	9.6	12
458	18	20-22	9.6	12
152	6	20-22	12	15
203	8	20-22	12	15
254	10	20-22	12	15
305	12	20-22	12	15
357	14	20-22	12	15
406	16	20-22	12	15
458	18	20-22	12	15
203	8	28-30	17.6	22
254	10	28-30	17.6	22
305	12	28-30	17.6	22
357	14	28-30	17.6	22
406	16	28-30	17.6	22
458	18	28-30	17.6	22
203*	8	28-30	24	30
254*	10	28-30	24	30
305	12	28-30	24	30
357	14	28-30	24	30
406	16	32-35	24	30
458	18	32-35	24	30

\*Denotes fitted with Phosphor Bronze Bush

# Universal Cargo Blocks

## Model No.80 - Universal Cargo/Lead Block

## Model No.82/2 - Universal Cargo/ Lead Block Double Sheave

## Model No.82/3 - Universal Cargo/ Lead Block Treble Sheave

These general purpose lifting/rigging blocks are available in a standard range of sizes, or manufactured to your exact requirements. All blocks are fitted with bronze bushes as standard, or taper roller bearings on request, they are supplied with a painted or galvanised finish. A range of various wire sizes and headfittings are available to meet your rigging requirements.

### Standard features

- Fitted with a phosphor bronze bushed sheave
- Painted finish
- Grease lubrication through sheave pin and headfitting
- Certain sizes are available from stock
- Alternative headfitting, bearings and finish available on request
- UK manufactured
- 100% tested and certified.
- Available with or without becket,

**All Universal Cargo Blocks can be made to your exact specifications, please call +44 (0)121 568 3420 for more information.**



Universal Cargo or Lead Block



Double Sheave Block



Treble Sheave Block

### Specifications

Sheave Dia mm	"	Wire Rope Dia mm	S.W.L Tonne		
			Universal	Double	Treble
152	6	8-10	1		
152	6	12-14	1.5	3	6
203	8	12-14		4	
203	8	14-16	2	6	9
254	10	14-16		8	
254	10	20-22	3 & 5	10	14
305	12	20-22	3	10	
305	12	24-26	5	14	20
357	14	24-26	5	14	20
357	14	28-30	8	20	30
406	16	24-26	5		
406	16	28-30	8	20	
406	16	32-35	10	30	30
457	18	28-30		25	
457	18	32-35	8		
457	18	32-35	10	30	40

## Model No.75 Blocks

This is a general purpose rigging block with snatch facility for easy reeving via a drop down gate mechanism. It is a lightweight construction and can be supplied with either a swivel oval eye, or hook head fitting with an optional safety catch. Supplied with various SWL from 1.5 to 10T with a range of sheave sizes with phosphor bronze bush.

### Standard features

- Fitted with phosphor bronze bushed sheave
- Painted finish
- Grease lubrication through sheave pin and head fitting
- Certain sizes are available from stock
- Alternative headfitting, bearings and finish available on request
- UK manufactured
- 100% tested and certified

**All Model No.75 blocks can be made to your exact specifications, please call +44 (0)121 568 3420 for more information.**



### Specifications - Model 75

Sheave Dia mm	"	Wire Rope Dia mm	S.W.L Tonne
152	6	12-14	1.5
152	6	14-16	2
203	8	14-16	2
203	8	20-22	2.5
254	10	20-22	3
305	12	20-22	3
305	12	24-26	5
357	14	24-26	5
357	14	28-30	8
406	16	32-35	10

# London Pattern Fibre Rope Blocks

A low cost, high quality fibre rope block which can be used for various applications.

Available in single, double, treble or snatch options, with swivel safety hook headfitting.

A nylon sheave to suit various fibre rope sizes is available.

## Standard features

- Painted or galvanised finish
- Nylon or cast iron sheaves
- Alternative headfitting, bearings and finish available on request
- 100% tested and certified.

**All London Pattern Blocks can be made to your exact specifications, please call +44 (0)121 568 3420 for more information.**



Snatch Block



Double Block



Single Block



Treble Block

## Specifications - London Pattern

Sheave DiaFibre		Rope Dia	Safe Working Load Tonne			
"	mm		Snatch	Single	Double	Treble
2.5	63	9	0.04	0.04	0.1	0.15
3.5	89	12	0.1	0.1	0.25	0.4
4	102	14	0.15	0.15	0.4	0.6
4.75	120	20	0.22	0.22	0.6	0.9
5	127	22	0.35	0.35	0.9	1.4
6	152	25	0.52	0.52	1.4	2.1

## Model No.4575 - Aerial Ropeway (Manriding)



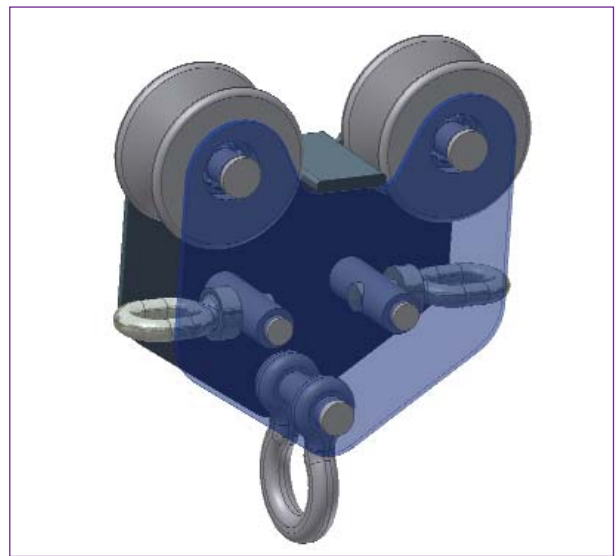
This product is widely used by the Scout Association to offer an aerial ropeway or death slide block which is manufactured to suit the relevant wire rope size. It features two rollers fitted with sealed roller bearings and machined to ensure efficient running on the specified wire size.

The blocks are generally used to transport people or payloads quickly and efficiently from one area to another. They are used in many applications from building sites to the leisure industry. Their size allows them to be used in areas where space is limited.

We also offer a number of other variations on manriding blocks to suit your individual requirements.

### Standard features

- Rollers with double sealed roller bearings
- Fail safe feature
- 24mm diameter main hawser
- Attachment points for haulage links
- Shackle attachment for seat
- UK manufactured
- 100% tested and certified.



Safe Working Load (SWL) 340kgs (750 lbs)  
Proof Load = 680 kgs (1500 lbs)  
Factory of Safety = 10-1

**All Aerial Ropeway Blocks can be made to your exact specifications, please call +44 (0)121 568 3420 for more information.**

#### Specifications

<b>Safe Working Load</b>	340kg
<b>Proof Load</b>	680kg
<b>Factory of Safety</b>	10:1

## Thrust Bearing Swivels

Our thrust bearing swivels are designed to bear a load while still allowing rotation and removing twisting movements.

All are fitted with thrust bearings and are 100% individually tested and certified.

Various headfittings including Stud Eye, Jaw and Hook types are available in any size or SWL.

Special orders are available on request.

Manufactured in the UK.

**All Thrust Bearing Swivels can be made to your exact specifications, please call +44 (0)121 568 3420 for more information.**



Jaw and Jaw Type



Eye and Eye Type



Jaw and Hook Type

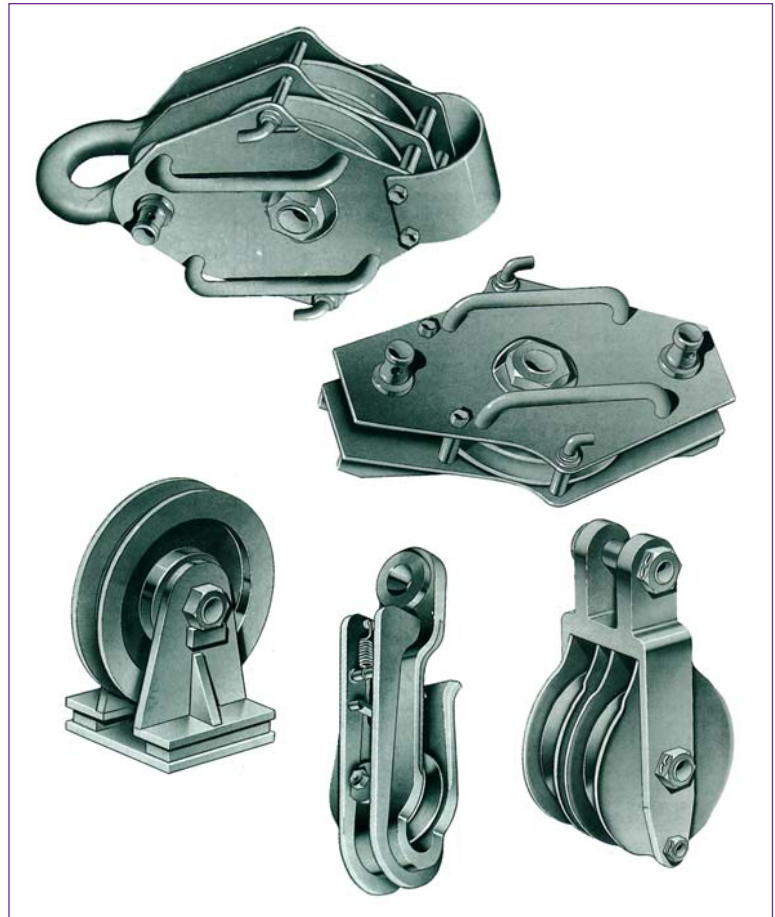
# Ministry of Defence (MOD)

## MOD

Ansell Jones has a wealth of experience in producing blocks to the most exact standards for the Ministry of Defence. All Army & Navy Blocks are manufactured to NATO stock number specifications and have been developed for precise applications.

## Army blocks

- Tank recovery single sheave blocks
- Heavy duty single and double sheave recovery blocks
- Gun pullback assemblies
- UK manufactured
- 100% tested and certified.



Tank Recovery Block

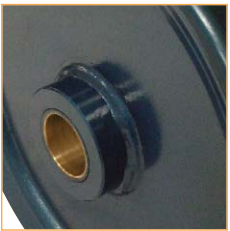
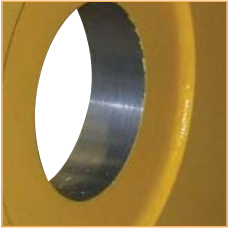
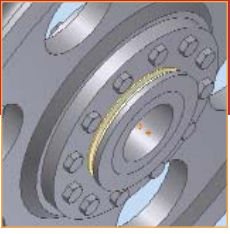
## Navy blocks

- Steel single, double, snatch sheave and deck blocks.
- Synthetic resin-bonded fibre single, double, treble sheave and snatch blocks
- Single and double sheave blocks for refuelling at sea
- Sonar vertical sheave blocks
- Torpedo blocks
- Single and double sheave aluminium/bronze signalling blocks
- UK manufactured
- 100% tested and certified.

**Please state NATO stock number at enquiry and order.**



**All MOD Blocks can be made to your exact specifications, please call +44 (0)121 568 3420 for more information.**



# Sheaves

We manufacture a range of cast, machined and fabricated sheaves for a wide variety of applications.

All are designed and manufactured to our customers' particular requirements. They can range from 75mm to over 2 metres in diameter and can be manufactured with lightening holes to reduce overall weight without compromising strength.

Sheaves can also be custom made for working offshore where low temperature operating conditions are an important factor and are supplied fully certified to 3.1 or 3.2 levels of traceability.

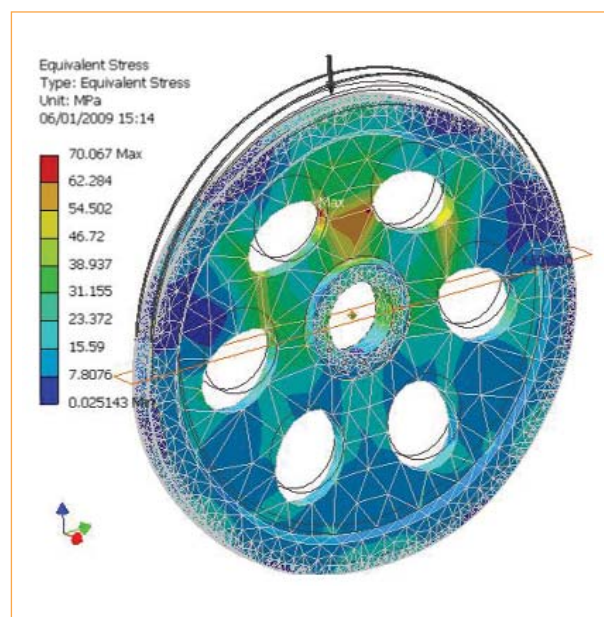
All are painted to a full offshore paint specification as standard. They can also be painted to suit your own required paint specification.

We are also highly experienced in working in conjunction with third parties including DNV, Lloyds, API and ABS.

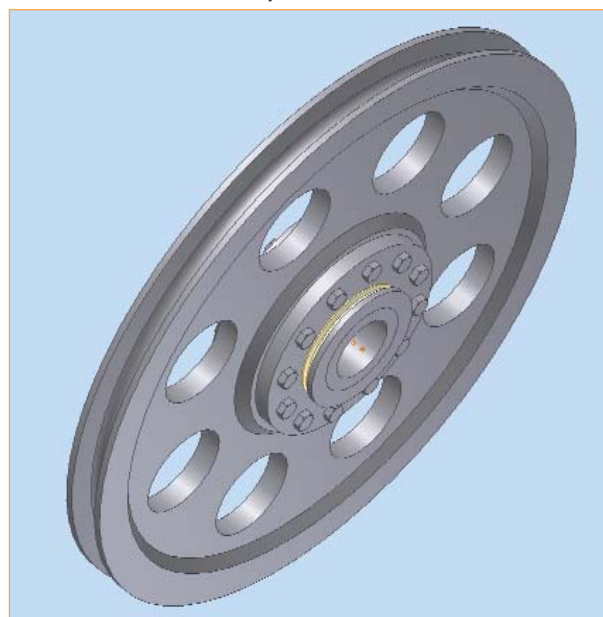
**All Sheaves can be made to your exact specifications, please call +44 (0)121 568 3420 for more information.**



Machined Cut Steel Sheave



Finite Element Analysis of Sheave



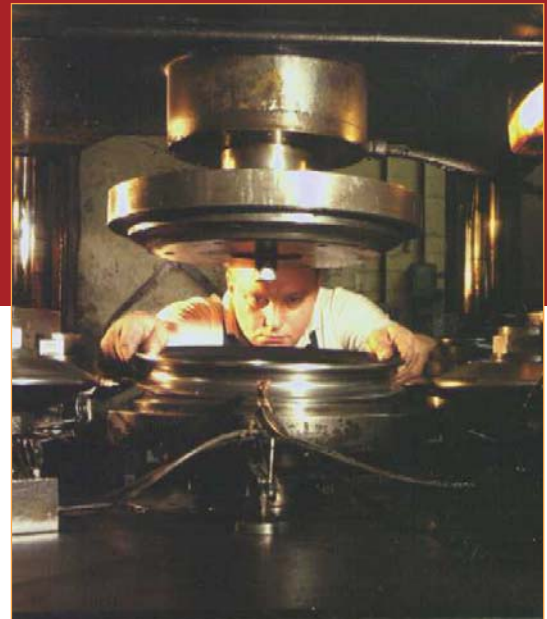
3D Model of Sheave

# Supasheaves

Ansell Jones has developed a range of supasheaves that can be used in a variety of applications including our marine and industrial pulley blocks.

Supasheaves are manufactured in a cold forming process which work hardens the groove profile. This both lowers the cost and allows a low weight, high strength combination.

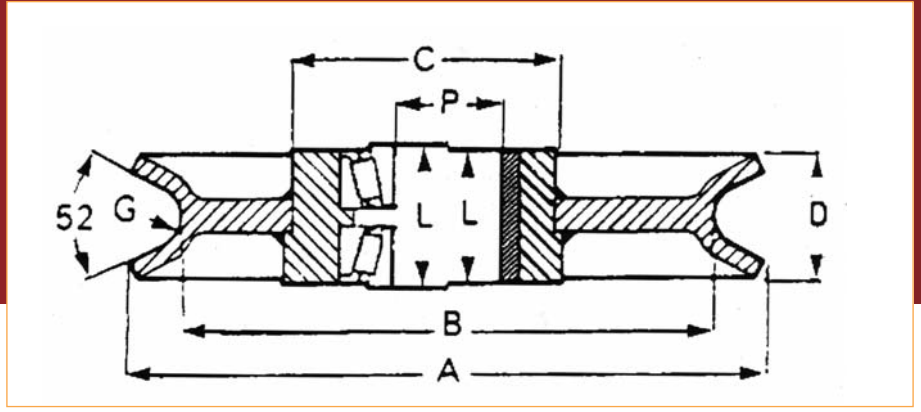
Supasheaves can be formed between 127mm and 700mm in diameter. If necessary they can be supplied with 3.1 certification.



The tables indicate a variety of standard sizes with either taper roller bearings or phosphor bronze bushes. However most sheaves are manufactured to your exact requirements on request.

## Specifications - Supasheaves 52° Flare Angle (Industrial)

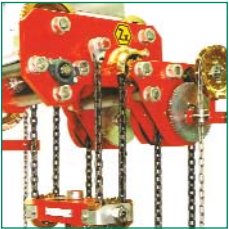
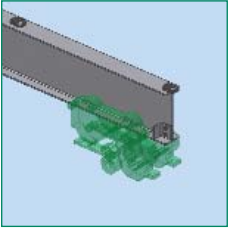
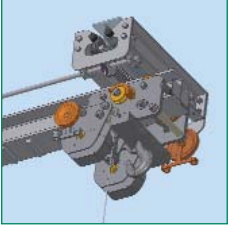
Sheave O/D Ins	Rope Dia mm	Nominal				Bush			Taper C	Roller L	Bearings P	Nominal Wt (Kg)
		A	B	D	G	C	L	P				
7	7-8	177	152	23	4.5	100			100	60.32	38.1	2.5
7 5/8	10-12	194	164	30	6.5	70	41	34.92	90	44.45	34.92	2.5
7 3/4	7-8	196	172	24	4.2	90			90	44.45	34.92	2.5
9 1/2	9-11	242	209	30	5.8	115			115			4.0
9 1/2	9-12	240	204	35	6.5	140			140			
10	12-14	254	218	34	7.5	70	44	34.92	90	47.62	34.92	4.0
10 3/4	14-16	273	229	39	8.5	133			133			5.0
12	14-16	305	263	38	8.5	100	51	50.8	145	53.97	57.15	8.0
12 1/2	16-18	318	274	41	9.5	112	51	63.5	145	53.97	57.15	8.0
13 7/8	14-16	352	304	41	8.5	150			150			9.0
14	13-14	357	305	42	7.5	112	51	63.5	145	53.97	57.15	9.5
14	17-19	357	307	44	10.0	112	51	63.5	145	53.97	57.15	9.5
14 3/8	16-18	364	310	50	9.5	106			106			
16	20-22	406	346	51	11.5	135	64	76.2	155	69.85	63.5	18.0
18	15-18	457	393	54	9.5	100			100			23.0
18	22-24	457	393	56	12.5	155	64	88.9	155	69.85	63.5	23.0
20	25-27	508	434	65	14.0	155	87	88.9	200	92.07	82.55	30.0
22	26-28	559	481	67	14.5	155	96	88.9	200	101.6	82.55	33.0
24	30-32	610	518	76	16.5	175	96	114.3	218	101.6	101.6	39.0
24	21-24	610	544	60	12.5	155	96	88.9	155	75	70	39.0
26	32-35	660	564	83	18.5	185	96	127	218	101.6	101.6	47.0
27	34-37	686	582	87	19.5	200	96	139.7	249	107.95	107.95	52.0
28	35-38	711	605	90	20.0	220	96	152.4	249	107.95	107.95	59.0



**Specifications - Supasheaves 52° Flare Angle (Marine)**

Sheave O/D Ins	Rope Dia mm	Nominal				Bush			Taper	Roller	Bearings	Nominal Wt (Kg)
		A	B	D	G	C	L	P	C	L	P	
6	8-10	152	136	28	5.5	51	31	25.4	75	34.92	25.4	1
6	12-14	152	128	29	7.5	51	31	25.4	75	34.92	25.4	1
6	14-16	152	128	29	8.5	51	31	25.4	75	34.92	25.4	1
6	17-19	152	118	36	10	51	38	25.4	75	34.92	25.4	1
6	20-22	154	120	39	11.5	90	44	63.5	90	46.02	34.92	2.5
8	10-12	203	183	29	6.5	51	31	25.4	75	34.92	25.4	2
8	14-16	203	179	30	8.5	51	31	25.4	75	34.92	25.4	2
8	14-16	203	175	38	8.5	51	41	25.4	75	44.45	25.4	2
8	16-18	203	175	38	9.5	51	41	25.4	90	44.45	34.92	2
8	20-22	203	167	39	11.5	70	41	34.92	90	44.45	34.92	2.5
8	20-22	203	167	42	11.5	90	44	63.5	90	46.02	34.92	3.5
8	20-22	203	165	54	11.5	100	57	63.5	100	60.32	38.1	4.5
8	28-30	203	152	57	15.5	115	63	76.2	115	66.67	50.8	5.5
10	16-18	254	214	40	9.5	70	51	34.92	90	53.97	34.92	4.5
10	20-22	254	216	40	11.5	70	51	34.92	90	53.97	34.92	4.5
10	20-22	254	216	42	11.5	90	44	63.5	90	46.02	34.92	4.5
10	28-30	254	222	44	15.5	115	63	76.2	115	66.67	50.8	8.5
12	20-22	305	265	51	11.5	80	64	44.45	90	69.85	34.92	7
12	20-22	305	264	42	11.5	80	64	44.45	90	52.39	34.92	7
12	24-26	305	257	49	13.5	80	64	44.45	106	69.85	38.1	8
12	24-26	305	257	49	13.5	80	64	44.45	106	53.97	38.1	8
12	28-30	305	257	49	15.5	80	64	44.45	106	53.97	38.1	8
14	20-22	357	313	45	11.5	80	64	44.45	106	69.85	38.1	10
14	24-26	357	313	47	13.5	80	64	44.45	106	69.85	38.1	10
14	28-30	357	309	52	15.5	80	64	44.45	106	69.85	38.1	10
16	24-26	406	362	50	13.5	112	76	63.5	106	69.85	38.1	19
16	28-30	406	362	52	15.5	112	76	63.5	106	79.37	38.1	19
16	32-35	406	342	67	18.5	112	76	63.5	127	79.37	50.8	20
16	32-35	406	342	67	18.5	112	76	63.5	155	73	63.5	20
18	32-35	457	393	67	18.5	112	76	63.5	127	79.37	50.8	24
20	35-38	508	448	67	20	127	82	69.85	155	85.72	63.5	29

All Supasheaves can be made to your exact specifications, please call +44 (0)121 568 3420 for more information.



# Sparkproof Range

**Ansell Jones designs and manufactures a wide range of chain block hoists and mechanical handling equipment suitable for zone 1 and zone 2 hazardous areas and where there may be a danger of explosion.**

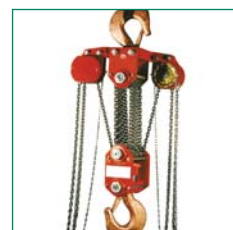
The range utilises non-ferrous materials. All load sprockets and rubbing parts that are exposed to the atmosphere are made from dissimilar metals, one of which is either aluminium bronze or phosphor bronze. This gives the sparkproof property which is vital in the hazardous environments for which our mechanical handling equipment is designed.

Through use in many different industries over the last 30 years, our sparkproof range has been proven to withstand the harshest operating environments. We have manufactured and certified hoists for special projects involving temperatures as low as -40 degrees C and pride ourselves in the superb quality, low maintenance and long, 25 year design life of the entire range.

All are manufactured in the UK and supplied to industries including Petrochemical, Chemical, Power Plants, Gas Processing, Water treatment plants, Electronics, Food and Pharmaceutical.

Through constant innovation and by adapting our designs to incorporate new uses or solve challenging problems it is a range which is always evolving.

All sparkproof hoists can be manufactured to suit individual beam width requirements and are supplied with proof load certificates. When requested they will also have certification to 3.1 or 3.2 levels of traceability.



# Hook Suspension Chain Hoist

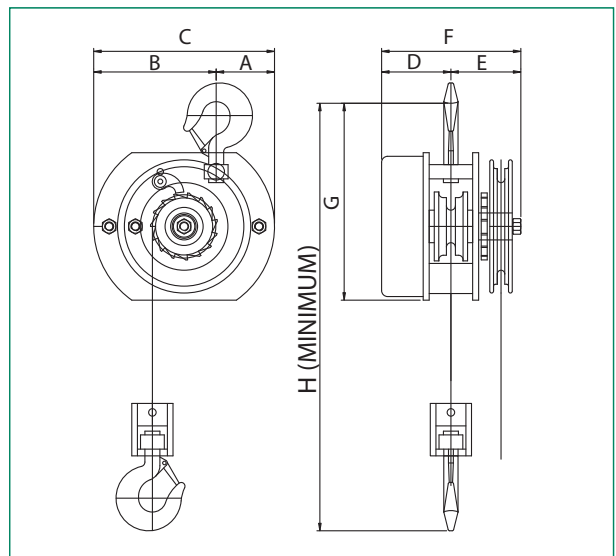
Our hook suspension chain hoists are made to an industry proven design and its robust construction makes them suitable for use in the most punishing environments.

The hoists feature solid aluminium bronze wheels and the option of a coated or solid bronze hook. Hoists are available with a load capacity of 0.5T and upwards and, for safety, an overload clutch device is fitted.

All hoists are UK manufactured and are individually tested. Full material certification can be provided on request.

## Standard features

- Solid aluminium bronze wheels
- Coated bronze or solid bronze hook
- Load capacity of 0.5T upwards
- Low temperature model available
- UK manufactured and 100% tested
- Supplied with material certification upon request



**All Hook Suspension Chain Hoists can be made to your exact specifications, please call +44 (0)121 568 3420 for more information.**

Specifications												
Capacity (Te)	0.5	1	2	3	4	5	6	7.5	8	10	12	15
A	90	75	95	75	90	150	150	160	160	160	445	445
B	150	165	190	210	250	320	320	350	350	350	445	445
C	240	240	285	285	340	470	470	510	510	510	890	890
D	70	95	118	95	118	118	118	115	115	115	180	180
E	90	105	140	105	102	102	140	135	135	135	180	180
F	160	200	258	200	220	220	258	250	250	250	360	360
G	220	270	315	312	360	460	460	445	415	485	540	540
H (mm)	360	415	500	320	700	540	840	880	900	1070	1180	1180
No. of Falls	1	1	1	2	2	2	3	4	5	8	8	10
Effort to Raise Load	24kg	25kg	28kg	38kg	29kg	25kg	30kg	32kg	33kg	2x30kg	2x32kg	2x33kg
Weight 3m H.O.L.	18kg	25kg	42kg	45kg	80kg	80kg	110kg	170kg	180kg	285kg	380kg	420kg

# Adjustable Beam Trolleys

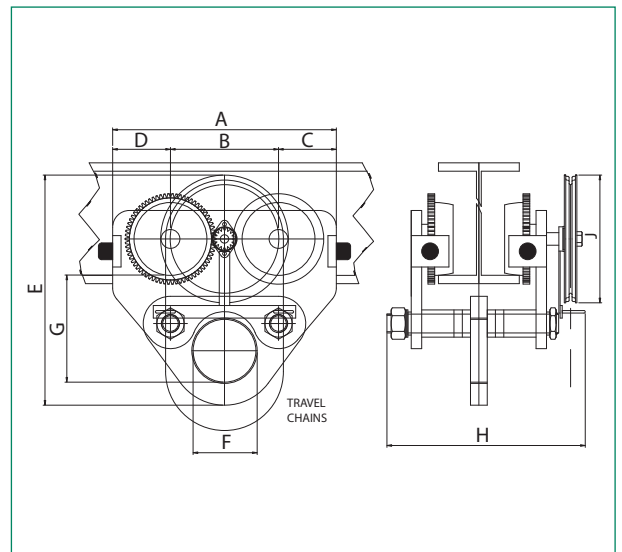
Our adjustable beam trolleys have been supplied with our hoists to a wide number of industries where its robust and strong design means it can continue operating efficiently and reliably in the most challenging conditions.

The trolley enables the hoist to travel along a beam, with a choice of push travel, gear travel or rack and pinion drive. The trolley can be manufactured to fit your precise beam size.

Chain guides ensure smooth operation and the trolley's design means it also has very low maintenance requirements.

## Standard features

- Solid aluminium bronze wheels
- Traversing beam brake
- Low temperature model available
- UK manufactured
- Supplied with material certification upon request



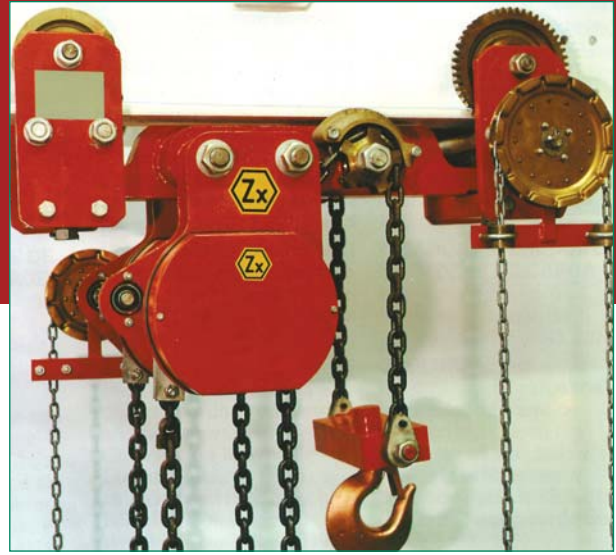
**All Adjustable Beam Trolleys can be made to your exact specifications, please call +44 (0)121 568 3420 for more information.**

## Specifications

Capacity (Te)	1	2	3	6	10	15
A	250	250	305	380	430	534
B	118	117	145	177	205	258
C	66	66.5	80	101.5	112	138
D	66	66.5	80	101.5	112	138
E	219	222	252	335	429	550
F	50	55	65	86	120	156
G	92	97	115	153	205	259
H	314	378	432	410	402	474
J	150	150	150	178	228	305

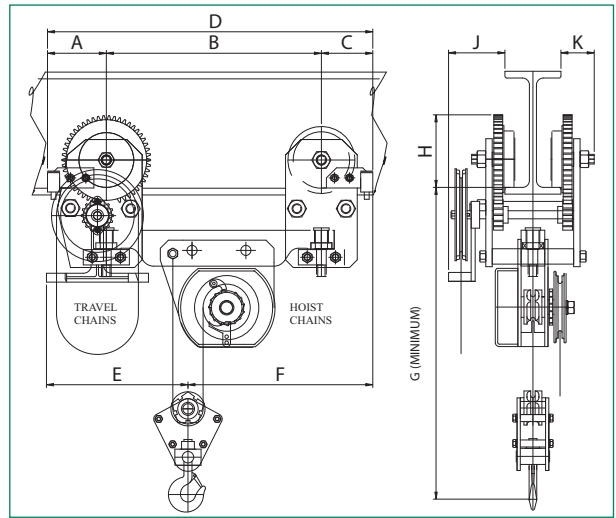
# Articulated Chain Hoist

Where a limited beam radius is an issue the articulated chain hoist could be the solution. Its articulated trolley travels smoothly round tight bends and has been proven to operate efficiently in harsh environmental conditions.



## Standard features

- Solid aluminium bronze wheels
- Coated bronze or solid bronze hook
- Load capacity of 0.5T upwards
- Low temperature model available
- Overload clutch
- UK manufactured and 100% tested
- Supplied with material certification upon request



**All Articulated Chain Hoists can be made to your exact specifications, please call +44 (0)121 568 3420 for more information.**

## Specifications

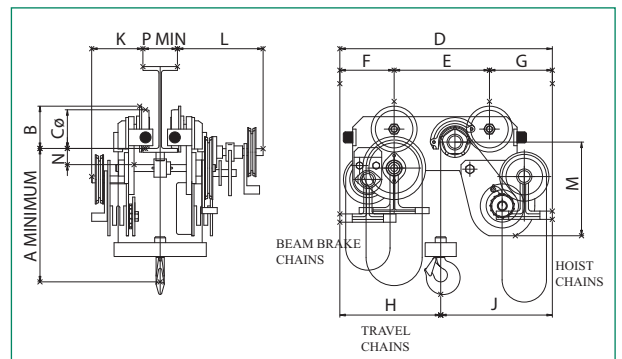
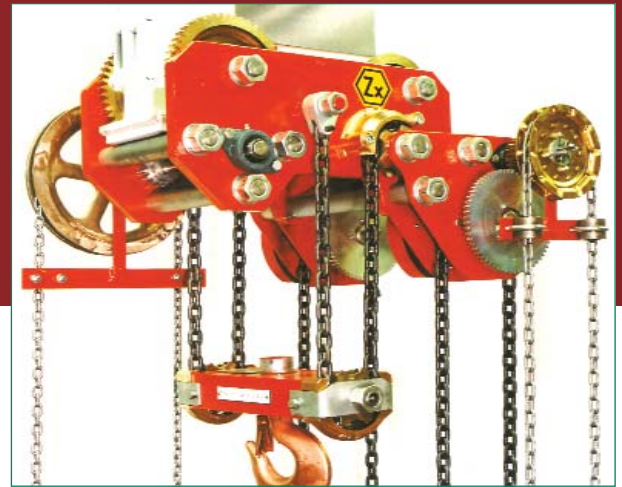
Capacity (Te)	0.5	1	1.5	2	3	4	5	7.5	10
A	55	135	70	134	160	90	175	280	280
B	300	410	430	508	535	600	600	660	660
C	55	70	70	90	90	90	100	110	110
D	410	615	570	732	765	780	875	1050	1050
E	210	335	280	381	405	365	445	550	615
F	210	280	290	351	380	415	430	500	535
G	335	430	470	585	675	750	800	860	960
H	91	141	141	180	180	180	180	192	192
J	50	120	65	150	155	105	155	215	215
K	50	70	65	102	105	105	105	125	125

# Low Headroom Chain Hoist

This hoist's compact design makes it ideal for applications where the available headroom is limited. Its strong and robust design means it needs little maintenance even when it is being used in harsh environmental conditions.

## Standard features

- Solid aluminium bronze wheels
- Coated bronze or solid bronze hook
- Load capacity of 0.5T upwards
- Overload clutch
- Low temperature model available
- UK manufactured and 100% tested
- Supplied with material certification upon request



**All Low Headroom Chain Hoists can be made to your exact specifications, please call +44 (0)121 568 3420 for more information.**

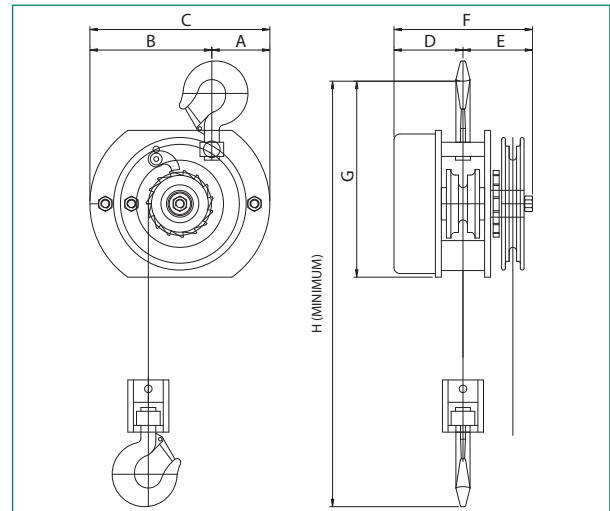
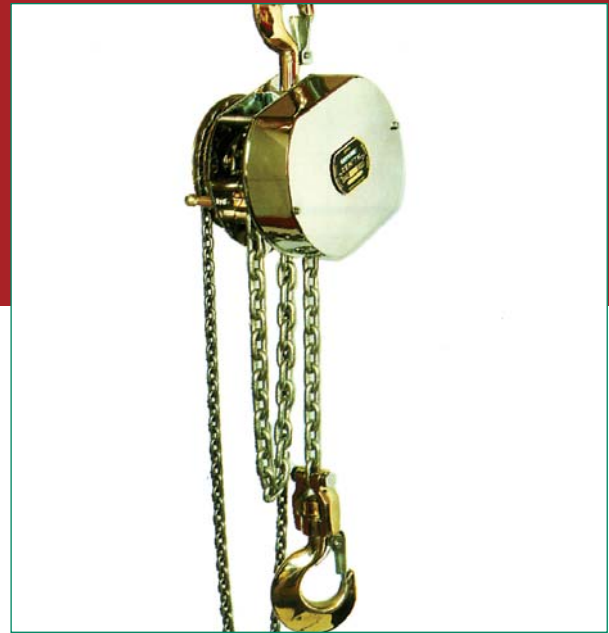
Specifications										
Capacity (Te)	0.5	1	2	3	4	5	6	8	10	12
A	175	155	130	230	240	260	310	335	325	415
B	120	120	180	180	180	180	180	230	230	230
C	112	112	140	140	140	140	140	174	174	174
D	555	575	710	710	790	777	780	887	985	985
E	275	275	345	345	380	380	355	430	460	460
F	70	90	130	130	135	135	180	207	275	275
G	210	210	235	235	275	262	245	250	250	250
H	205	225	300	300	320	318	350	417	500	500
J	350	350	410	410	470	459	430	470	485	485
K	100	100	185	185	215	215	230	270	275	275
L	230	250	260	260	270	270	270	330	340	340
M	225	225	295	295	350	343	300	355	365	365
N	25	25	32	32	35	35	35	45	55	55
P	90	90	100	100	100	100	100	120	120	120
No. of Falls	2	2	2	2	2	4	4	4	6	6
Effort to lift	11kg	22kg	24kg	25kg	26kg	26kg	26kg	27kg	28kg	28kg
Weight 3m H.O.L.	110kg	110kg	190kg	190kg	250kg	240kg	240kg	430kg	485kg	490kg

# Stainless Steel Hook Suspension Chain Hoist

Our stainless steel hoists are manufactured in the UK to suit "clean" areas and for use in zones where corrosion of equipment is not acceptable. The hoist can be manufactured in partial or full stainless steel, dependant on application and is suitable for use in the nuclear, pharmaceutical and food industries.

Stainless steel hoists and trolleys have also been developed for underwater applications. These units incorporate special braking components to ensure safe operation underwater.

**All Stainless Steel Hook Suspension Chain Hoists can be made to your exact specifications, please call +44 (0)121 568 3420 for more information.**

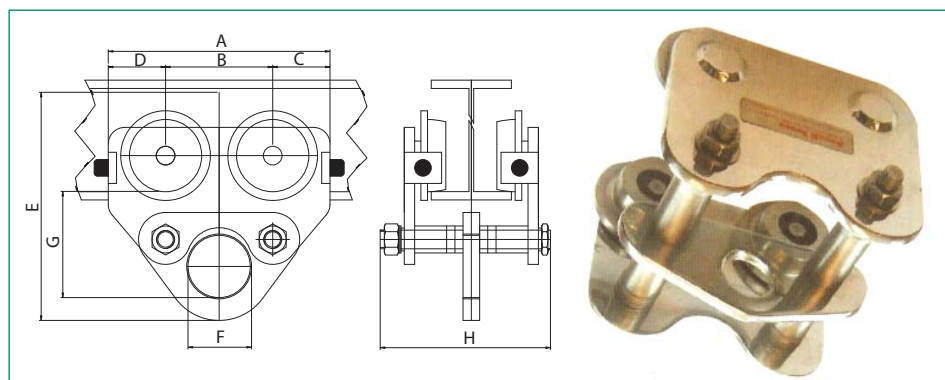


## Specifications - Stainless Steel Hoist

SWL Tonne	A	B	C	D	E	F	G	H	No. of falls	Effort to Raise load Kg	Kg
0.5	90	150	240	70	90	160	220	360	1	24	18
1	75	165	240	95	105	200	270	415	1	25	25
2	95	190	285	118	140	258	315	500	1	28	42

## Stainless Steel Beam Trolleys

Beam trolleys to be supplied push or geared travel and manufactured in the UK to suit your beam size.



## Specifications - Stainless Steel Beam Trolley

Capacity (Te)	A	B	C	D	E	F	G	H
0.5	250	118	66	66	219	50	92	314
1	250	118	66	66	219	50	92	314
2	250	117	66	66	222	55	97	378

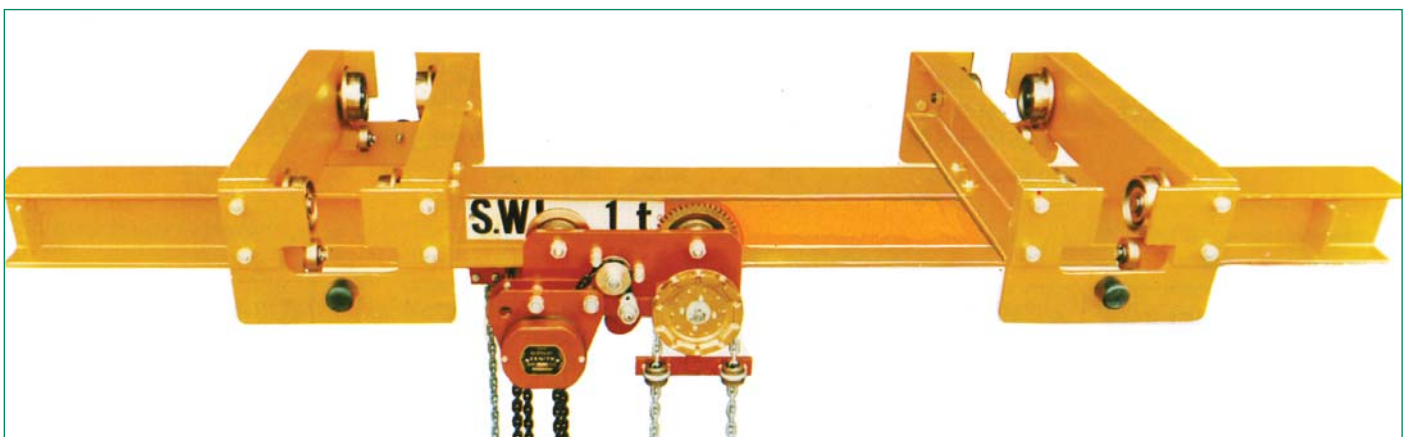
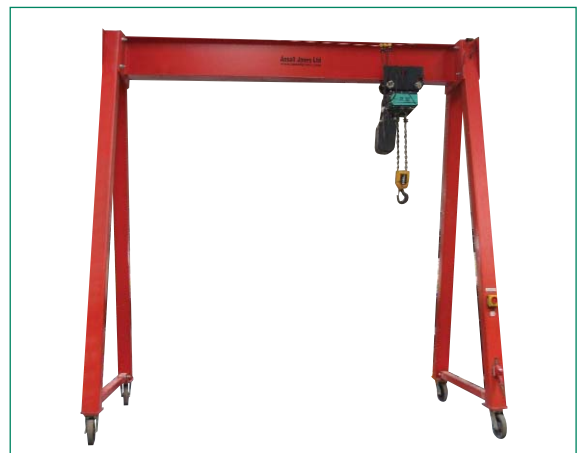
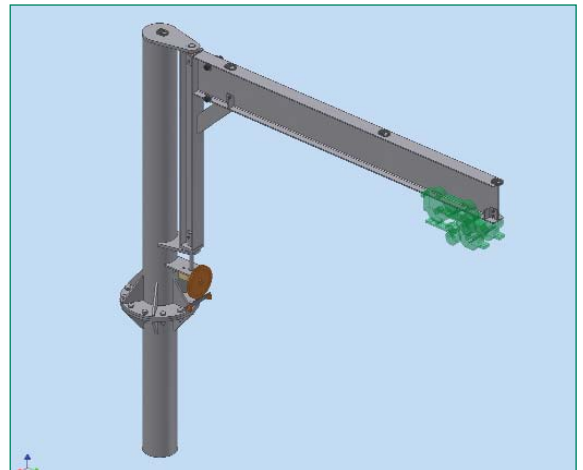
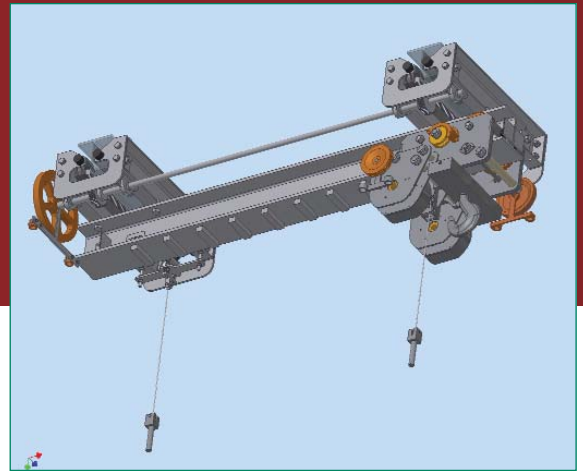
# Cranes and Lifting Frames

At Ansell Jones we design and manufacture a wide range of cranes suitable for hazardous and explosion-proof environments. These cranes are designed to customer specification taking into account the restrictions placed by space and building design.

All cranes can be manufactured with a choice of electrical, pneumatic or manually driven power and can also be supplied complete with rack and pinion drive.

Cranes can be supplied with proof load certificates and certification to 3.1 and 3.2 level of traceability.

**All Cranes and Lifting Frames can be made to your exact specifications, please call +44 (0)121 568 3420 for more information.**



# Sparkproof Floor Trolley

Ansell Jones' sparkproof floor trolleys provide the high standards of quality, safety and reliability embodied in our complete range of offshore mechanical handling and lifting equipment.

The specification of mechanical handling equipment required on an offshore oil platform is dictated by the limits and confines of the specific rig or vessel. Working to anything from detailed trolley dimensions to an overall rig floor plan, our engineers will design equipment to enable efficient movement around the platform.

Ansell Jones' equipment is designed to meet the specific clients requirements. Typical options include manual push trolleys, powered trolleys, turnable steering, four wheel steering, low temperature materials and load-spreading wheels.



**All Sparkproof Floor Trolleys can be made to your exact specifications, please call +44 (0)121 568 3420 for more information.**

## Specifications

### Moving Component

Turntable steering mechanisms use grease packed ball bearings for maintenance free swivel action. Four wheel steering mechanisms use stainless steel pivot pins with phosphor bronze bushes so that there is no possibility of sparking.

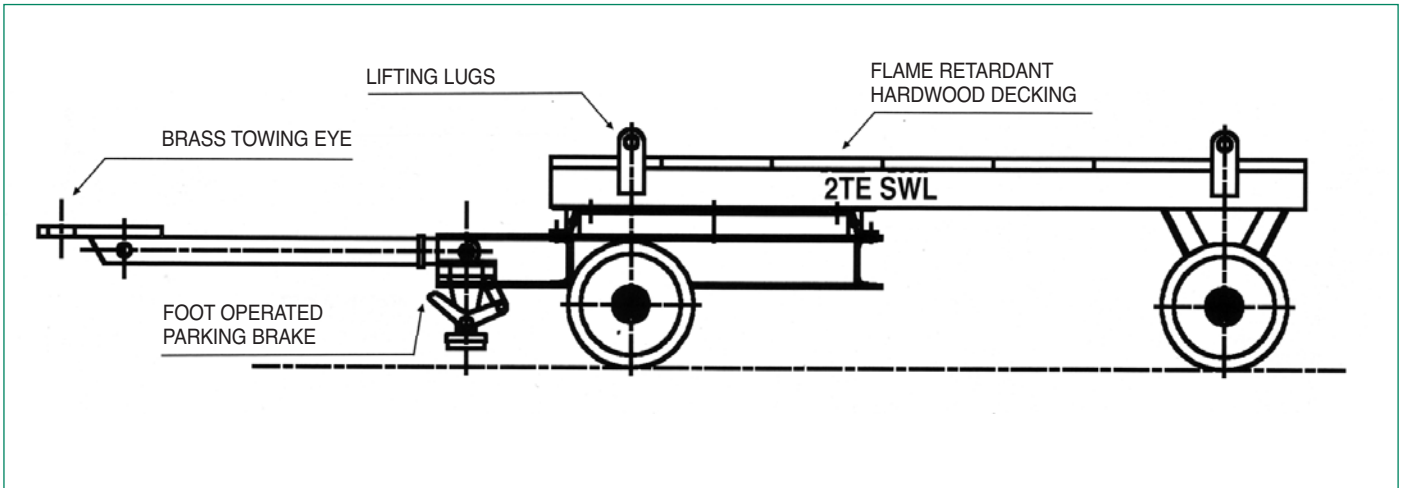
### Durability

All structural steelwork is shot-blasted before painting in our own paintshop to either the customer's own requirements or Ansell Jones' offshore paint specification. Wheels are hard wearing non-conductive rubber (available anti-static if required). Standard trolley beds are specially treated flame retardant timber. Protective rubber buffers are fitted all around.

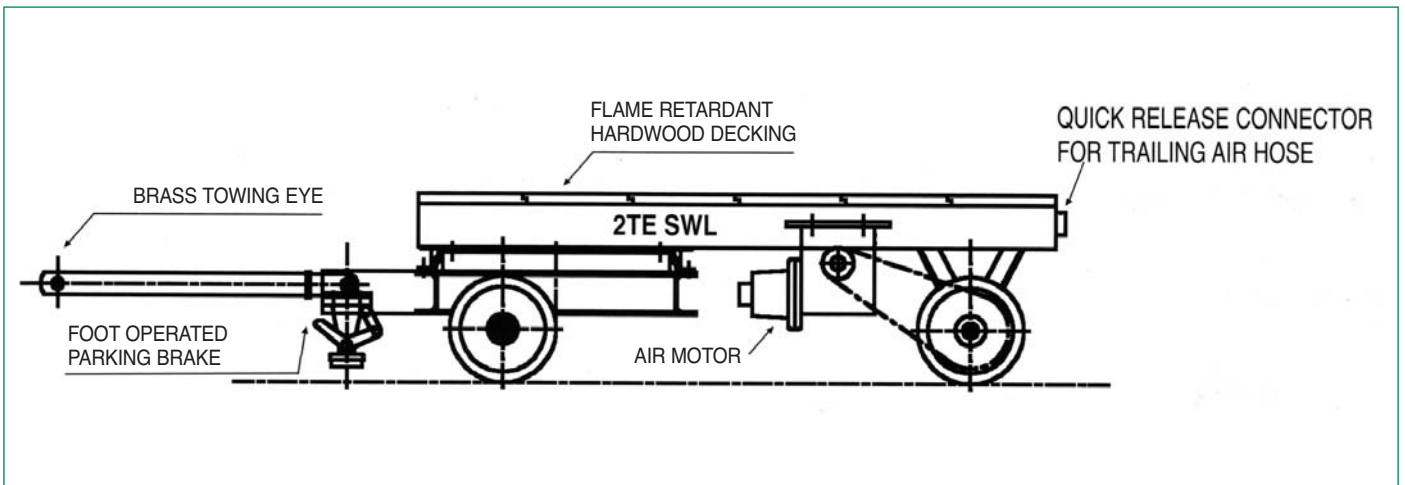
### Other features

Parking jacks with robust base plates ensure that the equipment can be kept stationary when required. Lifting eyes or lugs can be fitted for webbing straps to secure loads.

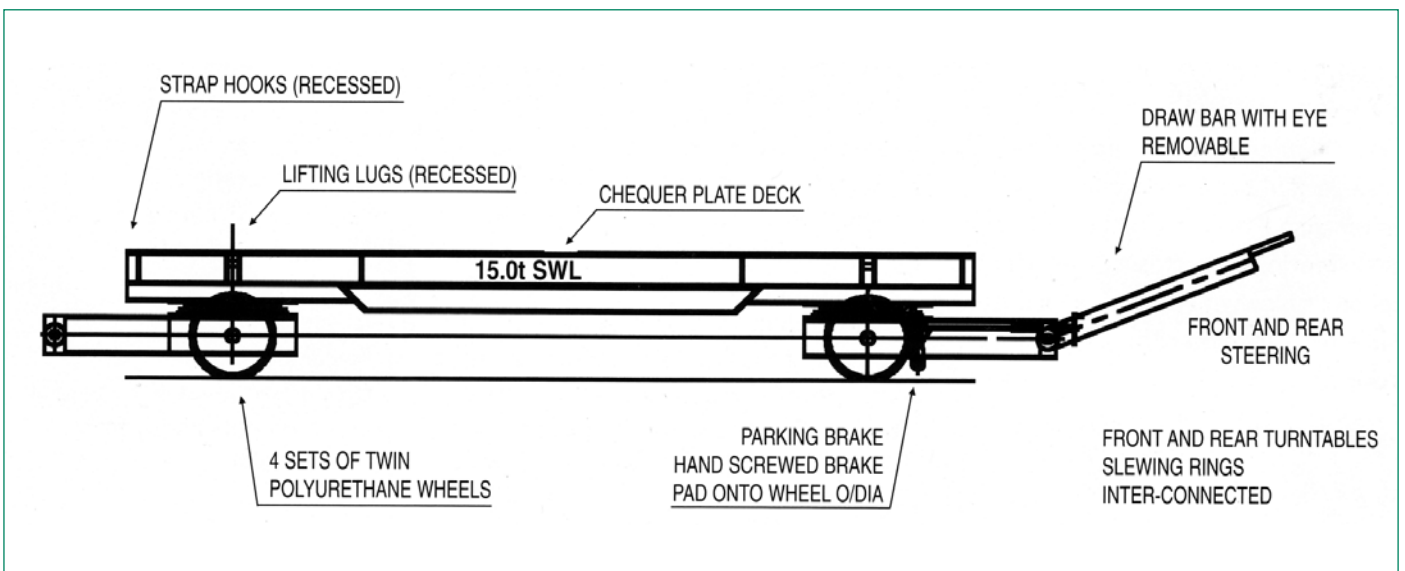
No aluminium parts are used due to their poor suitability for offshore environments and high burn temperature in fire conditions.



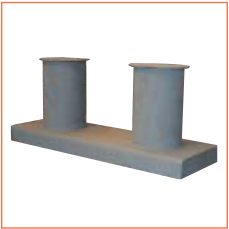
Front Steering Turntable Trolley



Power Driven Trolley



Four Wheel Steer Trolley



# Mooring Products

**As well as manufacturing an extensive range of lifting products, for over 35 years we have also been making marine equipment including bollards, fairleads, bulwark and emergency towing equipment.**

As with everything we make, our range is manufactured to the highest quality by our experienced workforce. For example, all of our welders are coded to BS EN 287-1:2004 & AWS D1.1 standards and many of our products have achieved approval from third party certification bodies such as Lloyds, DNV and ABS.

Our engineering department is equipped with the latest 3D design software and finite elements analysis technology. This enables us to modify existing designs and develop new concepts geared towards solving the most challenging problems in a wide range of operating temperatures and environments.

Mooring equipment can be painted to Ansell Jones offshore paint specification as required and material traceability to 3.1 and 3.2 levels is available on request for fabricated items.

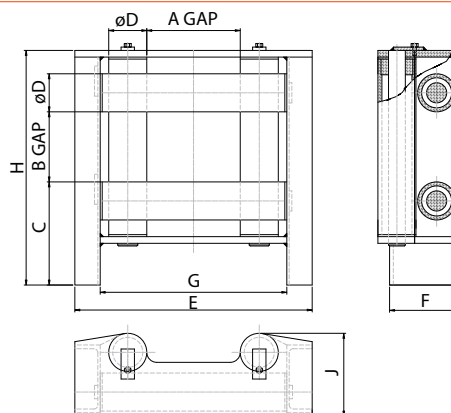


# Multi-angled Fairleads

Our multi-angle fairleads guide mooring lines allowing them to pass smoothly through a ship's bulwark or other barrier. They can also

be used to change the direction of ropes allowing them to safely navigate any obstacles on deck.

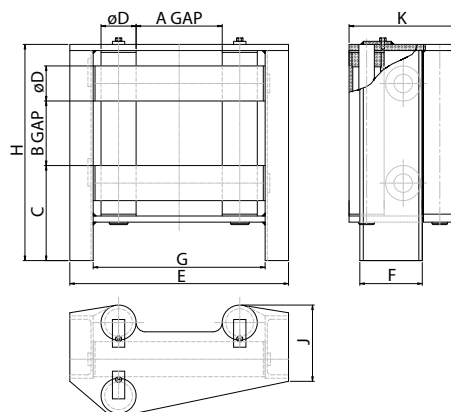
## Multi-angled Fairleads - Channel Type 2 x 2



### Specifications - Channel Type 2 x 2

Type	Part No.	S.W.L. (tonnes)	Wire rope	A	B	C	D	E	F	G	H	J
114	A2-605	5	-10	254	152	309	114	686	203	534	645	248
140	A2-608	8	-16	254	152	335	140	756	254	578	697	300
168	A2-610	12	-20	254	152	363	168	812	305	634	753	356
194	A2-612	20	-28	324	200	389	194	966	381	762	853	408
273	A1-614	24	-32	324	200	543	273	1124	432	920	1111	566

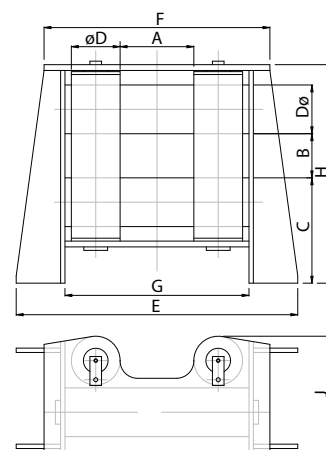
## Multi-angled Fairleads - Channel Type 3 x 2



### Specifications - Channel Type 3 x 2

Type	Part No.	S.W.L. (tonnes)	Wire rope	A	B	C	D	E	F	G	H	J	K
114	A2-606	5	-10	254	152	309	114	686	203	534	645	248	362
140	A2-609	8	-16	254	152	335	140	756	254	578	697	300	440
168	A2-611	12	-20	254	152	363	168	812	305	634	753	356	524
194	A2-613	20	-28	324	200	389	194	966	381	762	853	408	602
273	A2-615	24	-32	324	200	543	273	1124	432	920	1111	566	838

## Multi-angled Fairleads - Fabricated 2 x 2



### Specifications - Fabricated 2 x 2

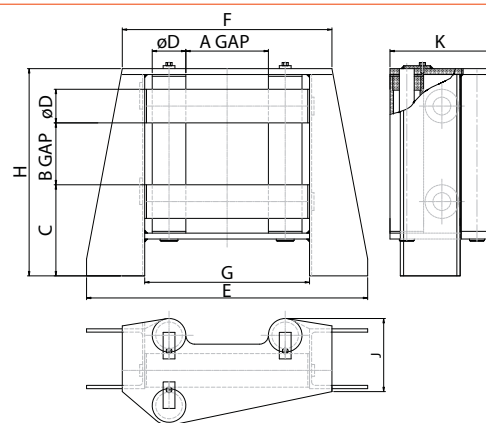
Type	Part No.	S.W.L. (tonnes)	Wire rope	A	B	C	D	E	F	G	H	J
114	A2-562	8	10-15	254	152	309	114	800	666	534	645	280
140	A2-525x	12	16-20	254	152	335	140	898	724	578	697	356
168	A2-551x	16	21-26	254	152	363	168	970	778	634	753	400
194	A1-556	25	27-34	324	200	389	194	1258	1016	762	853	457
273	A1-511	38	35-40	324	200	543	273	1492	1168	920	1111	682
324	A1-563	45	41-44	324	200	624	324	1652	1290	1022	1223	698
356	A1-564			508	254	706	356	1950	1550	1270	1441	764
406	A1-565			508	254	756	406	2390	1300	1420	1541	914

All our fairleads are UK manufactured and feature various roller arrangements depending on application. The diameter of the roller is calculated according to the load and rope size that is to be used. This is to prevent snagging

or damage to the rope.

Sizes can be designed and manufactured to your precise requirements for many different uses and are supplied with 3.1 or 3.2 levels of material certification on request.

## Multi-angled Fairleads - Fabricated 3 x 2



### Specifications - Fabricated 3 x 2

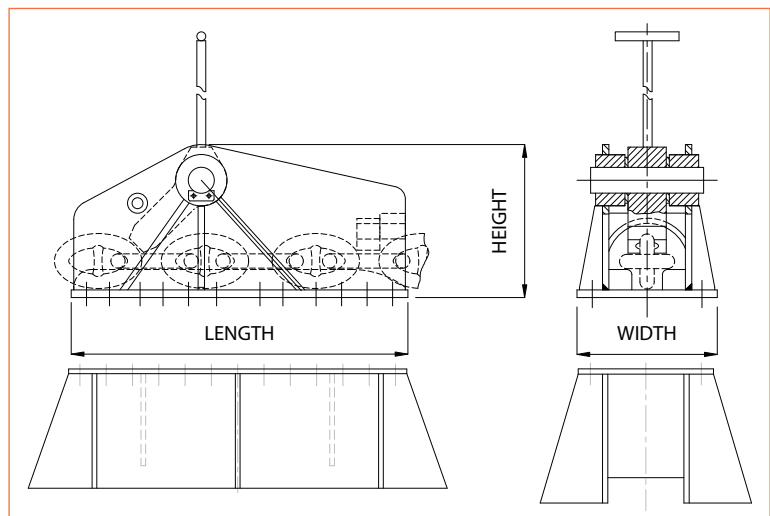
Type	Part No.	S.W.L. (tonnes)	Wire rope	A	B	C	D	E	F	G	H	J	K
114	A2-567	8	10-15	254	152	309	114	800	666	534	645	280	362
140	A2-527	12	16-20	254	152	335	140	898	724	578	697	356	440
168	A2-553	16	21-26	254	152	363	168	970	778	634	753	400	524
194	A1-558	25	27-34	324	200	389	194	1258	1016	762	853	457	602
273	A1-513	38	35-40	324	200	543	273	1492	1168	920	1111	682	838
324	A1-570	45	41-44	324	200	624	324	1652	1290	1022	1223	698	992
356	A1-571			508	254	706	356	1950	1550	1270	1441	764	1088
406	A1-572			508	254	756	406	2390	1800	1420	1541	914	1270

# Chain Stopper and Plinth

Our chain stopper is a secure and hard-wearing device for securing a mooring chain. It consists of a pivoting bar which is held between two vertical side plates. If preferred it can be manufactured with an integral plinth.

During operation a heavy-duty pawl drops down onto the chain thus fixing the position and locking the chain off.

On request, chain stoppers can be supplied with type approval from Lloyds, ABS, BV or DNV.



**All Chain Stoppers and Plinths can be made to your exact specifications, please call +44 (0)121 568 3420 for more information.**

## Specifications - Chain Stopper and Plinth

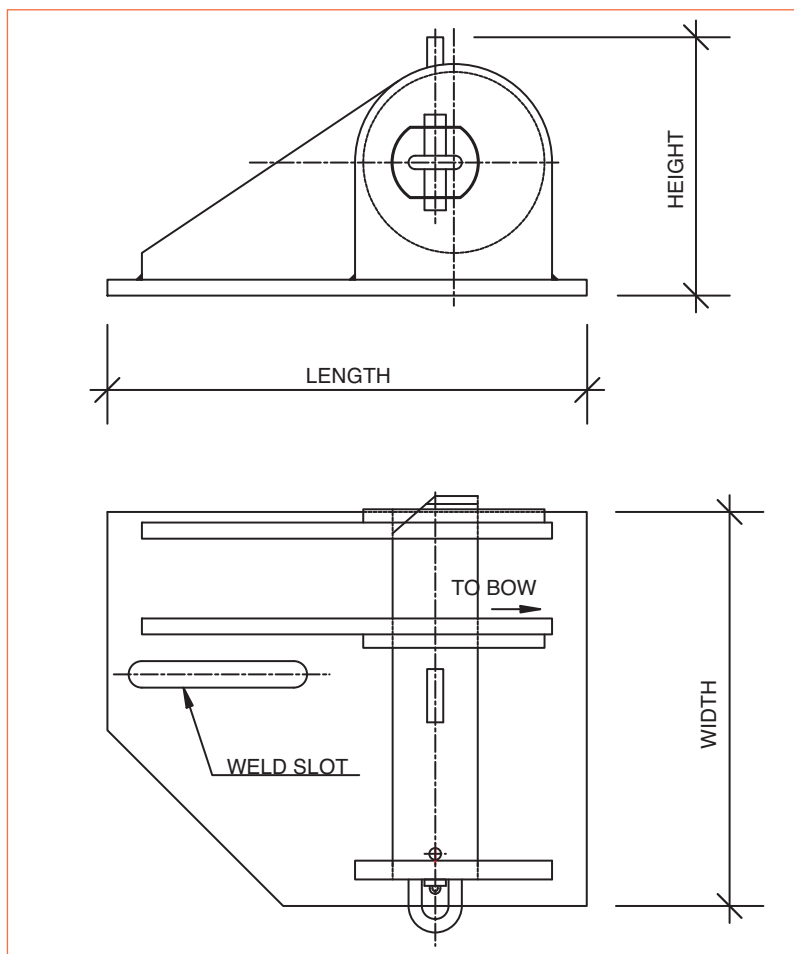
Chain mm	S.W.L. Tonnes	Overall Length Without Plinth	Width		Height (excluding Handle)		
			With Plinth	Without Plinth	Without Plinth	With Plinth	
54	100	1200	1630	530	880	590	1225
76	200	1800	2230	640	1000	850	1485

## Smit Brackets



At Ansell Jones we manufacture smit brackets which are approved for use in all emergency towing situations. The bracket is welded to the deck and is rated to withstand the breaking load of the chain being used.

The bracket works using a large sliding pin which receives the towing chain and locks it quickly and securely into place. On request, smit brackets can be supplied with type approval from Lloyds, ABS, BV or DNV.



**All Smit Brackets can be made to your exact specifications, please call +44 (0)121 568 3420 for more information.**

### Specifications - Smit Brackets

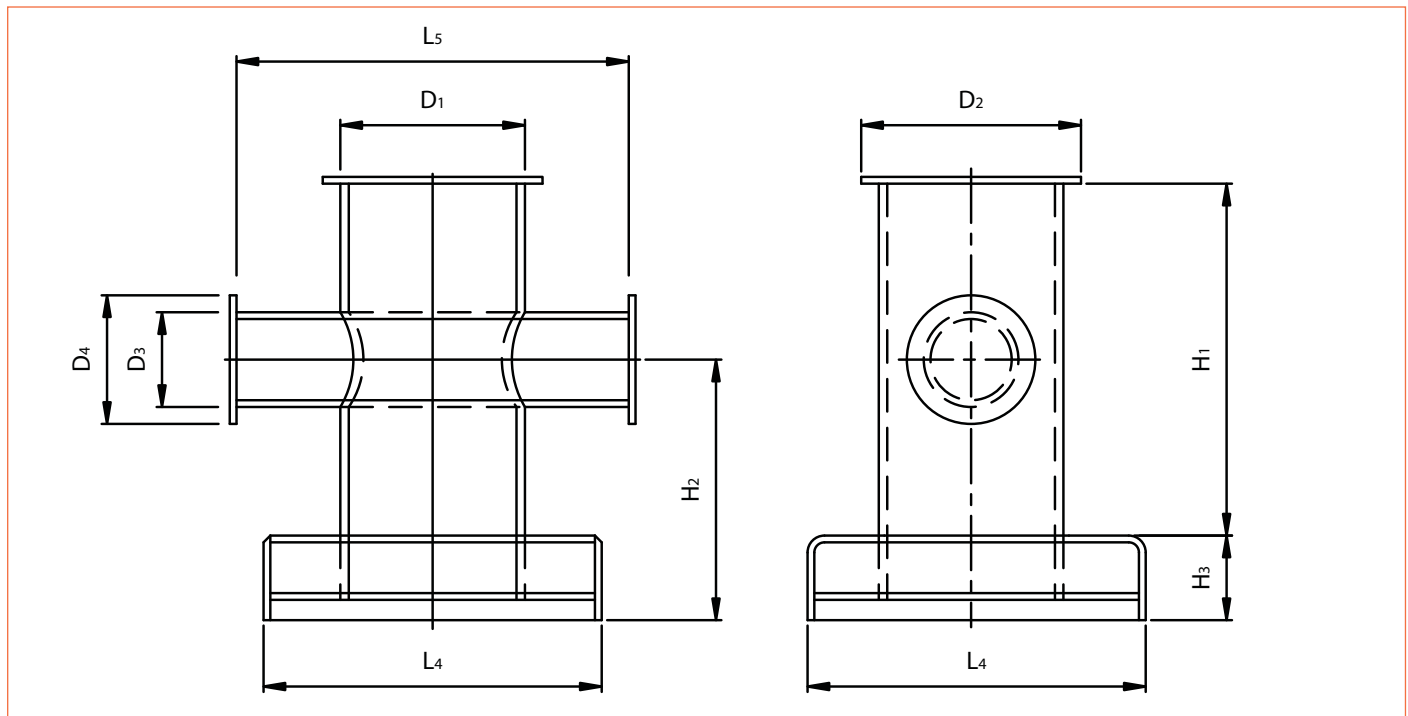
Type	Chain Size mm	Length	Width	Height	SWL
OCIMF Smit Brackets	76	900	800	485	200
Small Smit Brackets	54	625	600	365	100

# Cruciform Bollards

All cruciform bollards are designed and manufactured to our customer's precise requirements and supplied with material certification upon request.



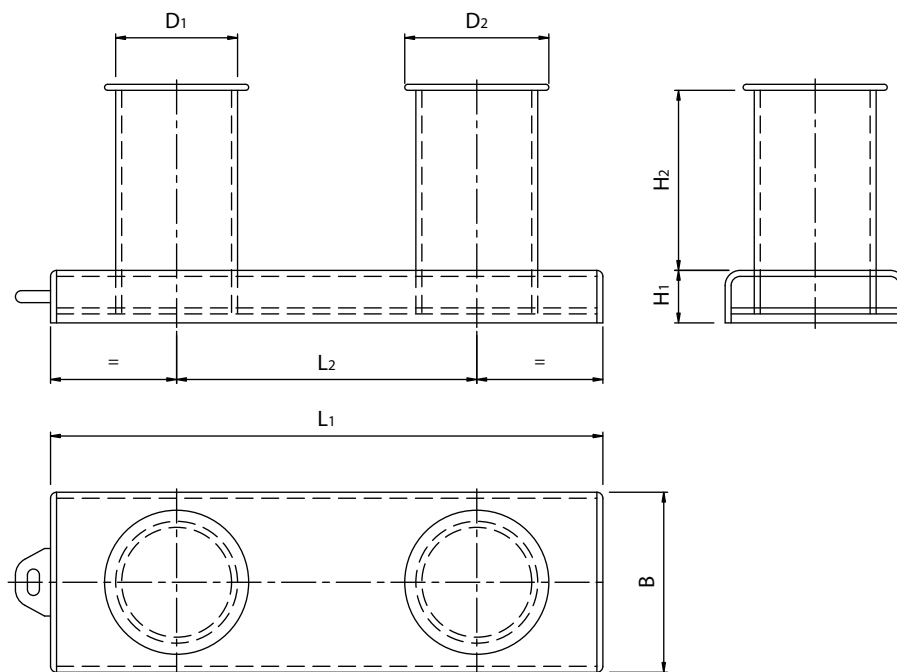
**All Cruciform Bollards can be made to your exact specifications, please call +44 (0)121 568 3420 for more information.**



Specifications - Cruciform Bollards										
Nominal Size of Bollard	SWL Tonne	Bitt Diameter D1	D2 mm	D3 mm	D4 mm	H1 mm	H2 mm	H3 mm	L4 mm	L5 mm
250	25	273	325	140	190	520	385	125	500	580
315	40	324	400	168	200	660	480	150	630	725

# Ships Bollards - BSMA 12

At Ansell Jones we fabricate steel bollards to standard sizes. The bollards are manufactured in the UK and can be designed to your exact requirements.



## Specifications - Ships Bollards

Type	M	f	T	TUBE D1	L1	L2	H1	H2	B	D2	Wt. Kg.
125	4.06		12	140	560	320	75	200	200	150	40
160	5.85		12	168	720	400	90	250	250	200	66
200	7.96		17	219	900	500	100	300	300	250	97
250	13.2		30	273	1130	630	125	380	380	300	145
315	19.7		50	324	1430	800	150	480	480	400	309
400	33.5		100	406	1800	1000	175	600	600	480	735
500	55.4		130	508	2250	1250	200	750	750	600	1148
630	82.8		160	610	2830	1570	225	940	940	730	1673

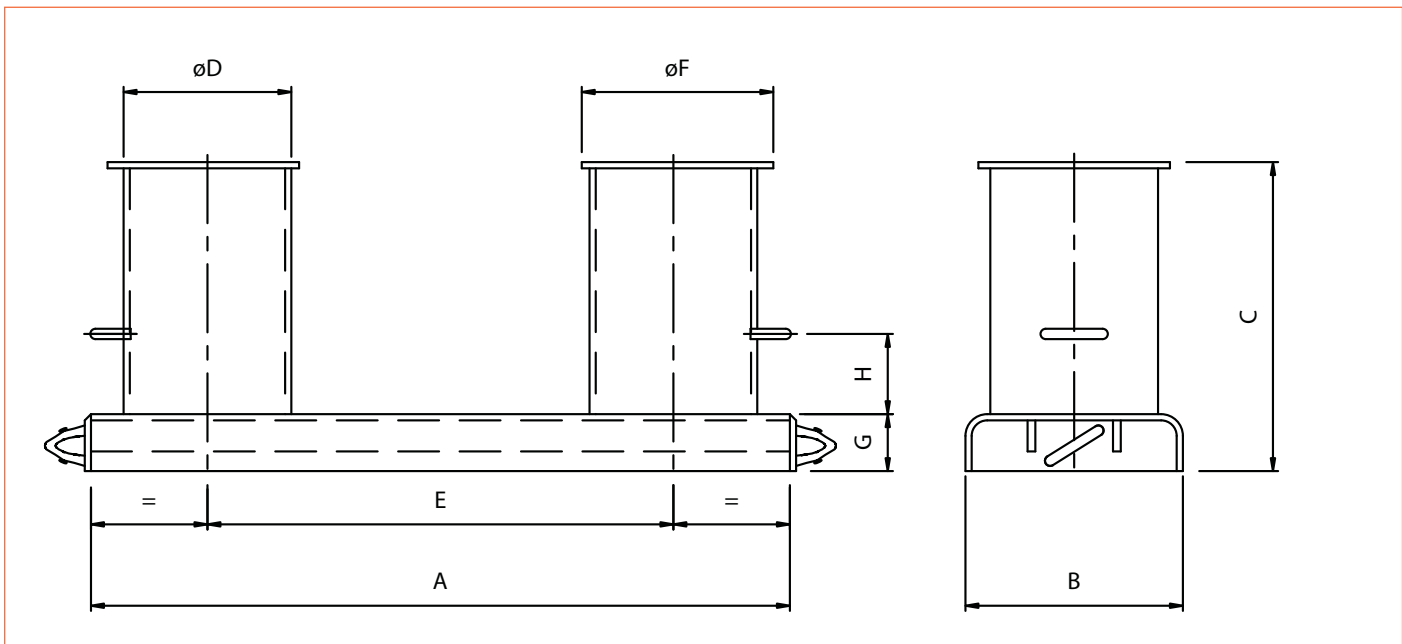
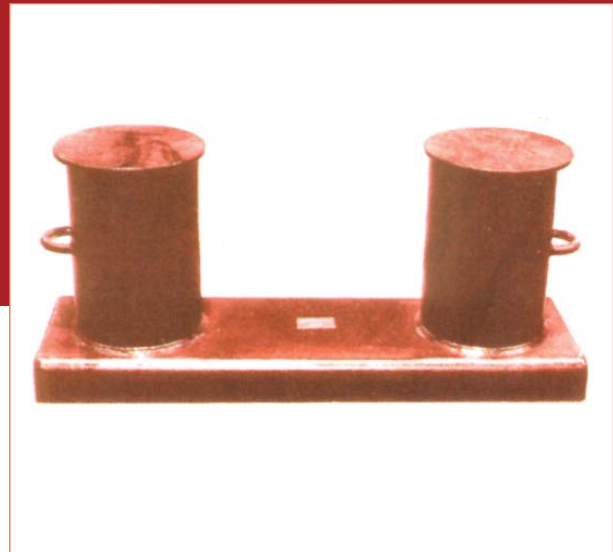
Maximum permissible load in bollard = f tonnes  
 When mooring = M tonnes  
 When towing = T tonnes

- (1) The bollard can be loaded with two mooring ropes each with a breaking strength not exceeding the values in the table.
- (2) The bollard can be loaded with one towing rope laid in a single sling over one of the bits and with a breaking strength not exceeding the values in the table.
- (3) Design 'A' available on request.

**All Ships Bollards can be made to your exact specifications, please call +44 (0)121 568 3420 for more information.**

# Ships Bollards - VIS 1

At Ansell Jones we fabricate steel bollards to standard sizes. The bollards are manufactured in the UK and can be designed to your exact requirements.



## Specifications - Ships Bollards

Type	PT. No.	f	Wt. Kg.	A	B	C	D	E	F	G	H
100	A3.072	5.0	35	600	210	310	114	350	145	100	65
150	A3.073	10.0	59	800	260	385	168	500	205	100	90
200	A3.074	15.5	98	950	330	460	219	600	255	100	115
230	A3.075	17.0	113	1030	350	470	244	680	300	100	120
250	A3.076	20.0	135	1150	370	520	273	750	320	110	130
300	A3.077	28.0	210	1350	420	597	324	900	370	110	155
350	A3.078	32.0	328	1500	470	657	356	1000	405	110	175
400	A3.080	40.0	418	1650	540	740	406	1100	450	125	200
450	A3.081	54.0	499	1800	600	790	457	1200	510	125	215
500	A3.082	60.0	586	1950	650	840	508	1300	560	125	230
550	A3.083	68.0	684	2100	700	890	559	1400	610	125	250
600	A3.084	80.0	900	2270	770	945	612	1500	660	125	270

Suitable for wire or rope with a breaking strain = f tonnes when cross belayed on the bollard.

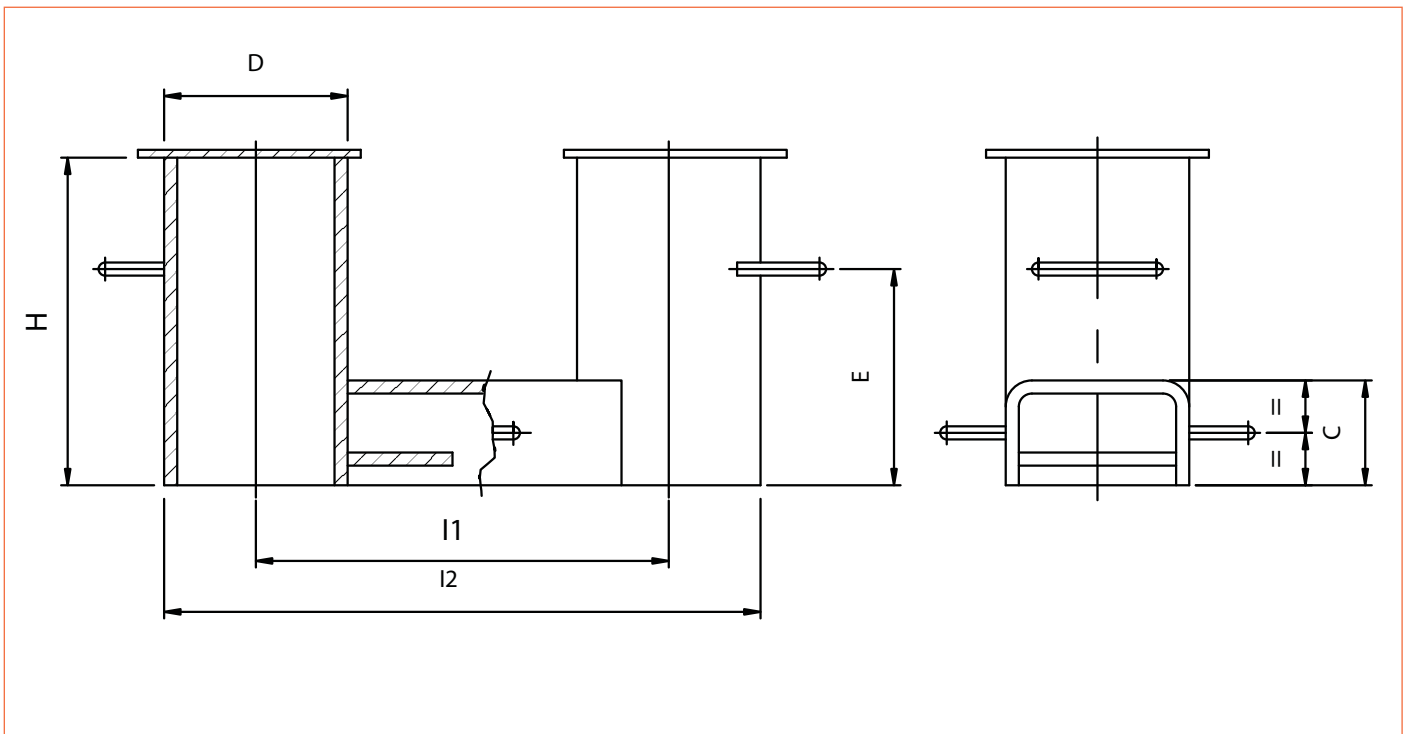
When belaying on one bitt only approximately 3 x f is valid.

Type 100 & 150 have centre rib only.

**All Ships Bollards can be made to your exact specifications, please call +44 (0)121 568 3420 for more information.**

# Ships Bollards - NS2584

At Ansell Jones we fabricate steel bollards to standard sizes. The bollards are manufactured in the UK and can be designed to your exact requirements.



Specifications - Ships Bollards										
Type	M	f	T	D	C	E	H	I1	I2	Wt KG
125	4.5		13.2	140	80	165	250	315	455	26
160	5.6		15.8	168	90	195	300	400	568	37
200	10.2		29	219	100	250	400	500	719	75
250	13.2		37.2	273	125	315	500	630	903	124
315	20.9		55	324	150	375	600	800	1124	230
400	28.5		75.4	406	175	435	700	1000	1406	356
500	52		123.6	508	200	515	830	1250	1758	723
630	62.7		158.1	610	225	615	1000	1570	2180	1084
710	83.1		219.3	711	250	675	1100	1750	2461	1532

Maximum permissible load in bollard = f tonnes  
 When mooring = M tonnes  
 When towing = T tonnes

- (1) The bollard can be loaded with two mooring ropes each with a breaking strength not exceeding the values in the table.
- (2) The bollard can be loaded with one towing rope laid in a single sling over one of the bits and with a breaking strength not exceeding the values in the table.

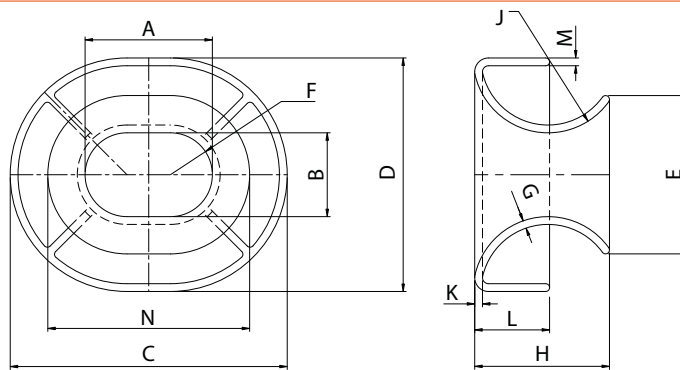
**All Ships Bollards can be made to your exact specifications, please call +44 (0)121 568 3420 for more information.**

# Bulwark Mounted Products

These are all welded into the ships bulwark and allow mooring lines to smoothly pass through in all directions without snagging or damage to the line. They are available in various opening sizes and can be supplied with type approval from Lloyds, ABS, BV or DNV etc.

For more information on Bulwark Mounted Products please call +44 (0)121 568 3420.

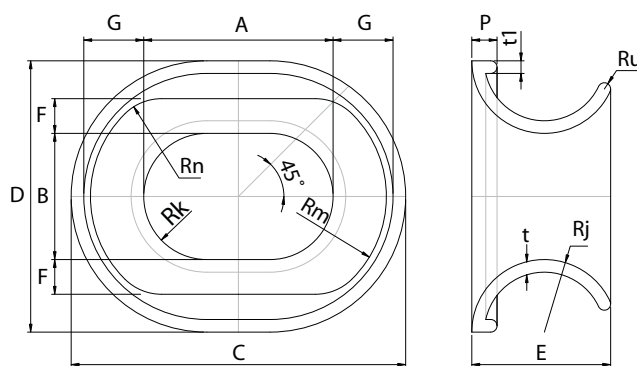
## Bulwark Mounted Panama Bows



### Specifications - Bulwark Mounted Panama Bows

Code	Clear	A	B	C	D	E	F	G	H	J	K	L	M	N	Wt Kgs
SEINE	315 x 250	315	250	695	630	432	125	22	342	190	22	190	22	497	198
RHINE	425 x 280	425	280	925	780	531	140	28	450	250	28	250	28	676	358
TORRENS	610 x 305	610	305	1130	862	565	152	21	356	178	21	224	21	965	396
MISSISSIPPI	600 x 450	600	450	1160	1010	706	225	30	504	280	30	280	30	866	629

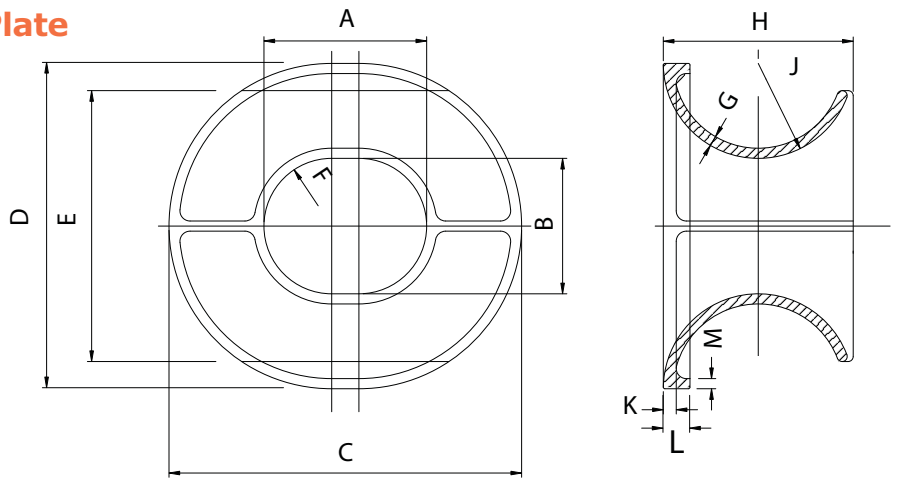
## Bulwark Mounted Panama Bows



### Specifications - Bulwark Mounted Panama Bows

STD	Size	A	B	C	D	E	F	G	Rj	Rk	Rm	Rn	P	t	Ru	t1	Wt Kgs
VIS 2 Swedish Std	300 x 200	300	200	530	430	220	55	85	115	100	185	82	40	20	10	20	60
VIS 2 Swedish Std	400 x 250	400	250	750	600	340	100	130	180	125	255	152	50	25	12.5	25	144
DVS 47004 Danish Std	300 x 250	300	250	660	610	348	100	130	180	125	255	152	50	20	10	25	101
DVS 47004 Danish Std	400 x 250	400	250	760	610	348	100	130	180	125	255	152	50	25	12.5	25	144
NS 2589 Norsk Std	300 x 250	300	250	660	610	348	100	130	180	125	255	152	50	20	10	25	101
NS 2589 Norsk Std	400 x 250	400	250	760	610	348	100	130	180	125	255	152	50	25	12.5	25	143
NS 2589 CP Curved Pit Norsk Std	400 x 250	400	250	760	610	348	100	130	180	125	255		170	25	12.5		230

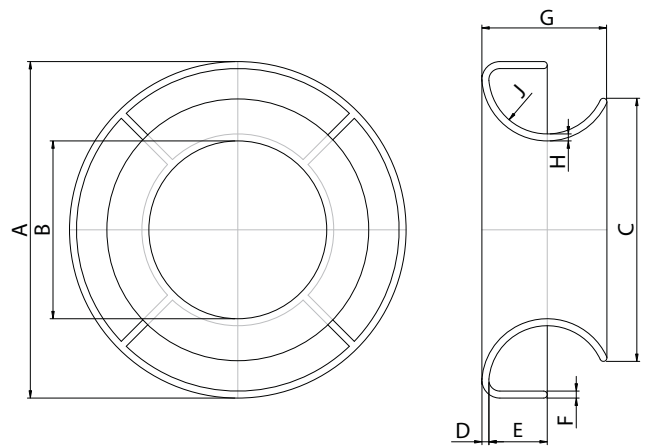
## Bulwark Mounted in Flat Plate



### Specifications - Bulwark Mounted in Flat Plate

Code	Size	A	B	C	D	E	F	G	H	J	K	L	M	Wt Kgs
TWEED	305 x 254	305	254	660	610	508	127	19	356	178	25	50	19	137
TRENT	610 x 305	610	305	965	660	565	152	19	356	178	25	50	19	230

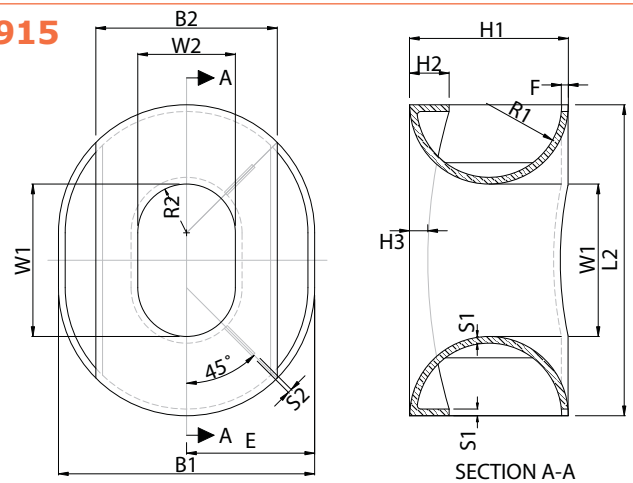
## Bulwark Mounted Circular Bows



### Specifications - Bulwark Mounted Circular Bows

Code	Size dia	A	B	C	D	E	F	G	H	J	Wt Kgs
WEAR	457	813	457	730	19	160	19	362	19	181	168

## Bulwark Mounted Panama Bows - DIN81915



### Specifications - Bulwark Mounted Panama Bows - DIN81915

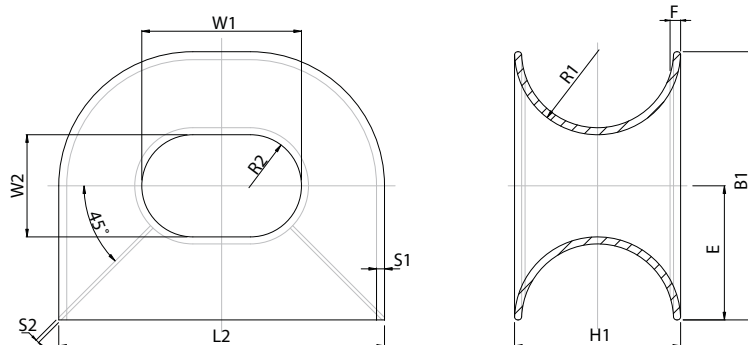
Type	Kn	B1	B2	E	F	H1	H2	H3	L2	R1	R2	S1	S2	W1	W2	Kg
A5	50	480	340	240	24	300	80	38	550	150	90	16	8	250	180	74
A8	80	585	415	292.5	27	360	90	45	680	180	112.5	18	9	320	225	120
A12	125	710	500	355	30	440	110	55	840	220	135	20	10	400	270	185
A20	200	840	595	420	33	520	130	35	1020	260	160	22	11	500	320	285
A32	320	1100	800	550	-	700	150	80	1300	350	200	35	20	600	400	795

# Deck Mounted Products

These products have the same functionality as the previous bulwark mounted products, but are welded into place on the deck. The opening sizes vary for different size vessels and mooring lines. On request they can be supplied with type approval from Lloyds, ABS, BV or DNV etc.

**For more information on Deck Mounted Products please call +44 (0)121 568 3420.**

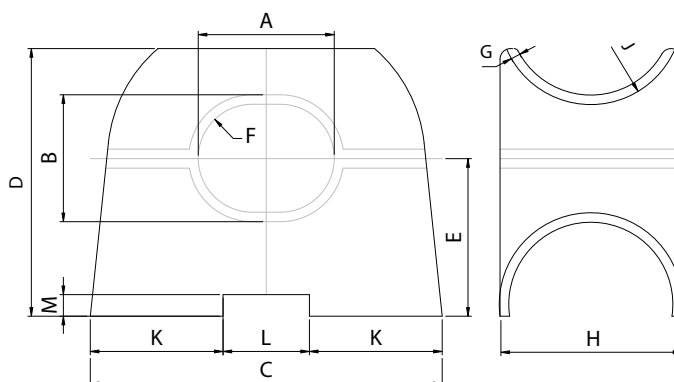
## Deck Mounted Panama Bows - DIN81915



### Specifications - Deck Mounted Panama Bows - 81915

Type	Kn	B1	E	F	H1	L2	R1	R2	S1	S2	W1	W2	Kg
C5	50	480	240	24	300	550	150	90	16	8	250	180	85
C8	80	585	292.5	27	360	680	180	112.5	18	9	320	225	136
C12	125	710	355	30	440	840	220	135	20	10	400	270	211
C20	200	840	420	33	520	1020	260	160	22	11	500	320	325
C32	320	1100	550	35	700	1300	350	200	35	20	600	400	840

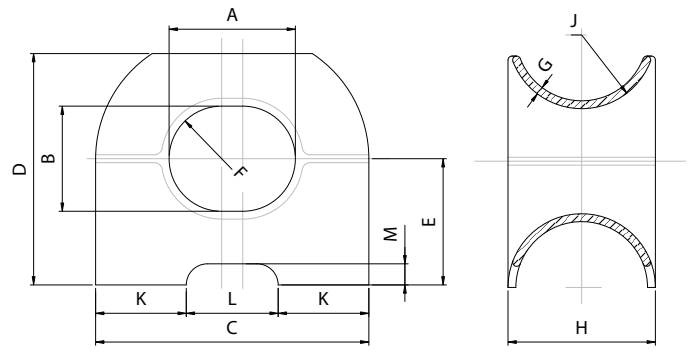
## Deck Mounted Panama Bow



### Specifications - Deck Mounted Panama Bow

Code	Size	A	B	C	D	E	F	G	H	J	K	L	M	Wt Kgs
AMAZON	315 x 250	315	250	815	620	365	125	22	380	190	307.5	200	50	
NILE	425 x 280	425	280	1075	785	450	140	26	500	250	412.5	250	60	378
HUDSON	600 x 450	600	450	1360	1000	575	225	30	560	280	530	300	70	628

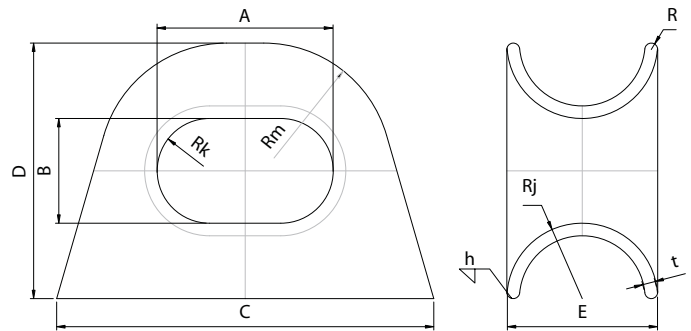
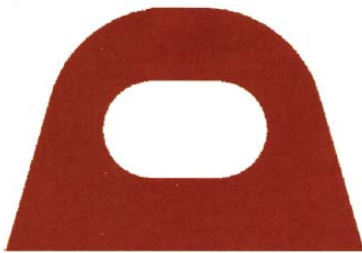
## Deck Mounted Panama Bow



### Specifications - Deck Mounted Panama Bow

Code	Size	A	B	C	D	E	F	G	H	J	K	L	M	Wt Kgs
TYNE	305 x 254	305	254	660	559	305	127	19	356	178	222	216	51	133
CLYDE	305 x 254	305	254	660	673	420	127	19	356	178	222	216	51	142
TEAM	356 x 254	356	254	712	559	305	127	19	356	178	248	216	51	136
SPEY	356 x 254	356	254	712	673	420	127	19	356	178	248	216	51	140
OUSE	400 x 270	400	270	712	559	305	135	19	356	229	248	216	51	137
TEAM PLUS	406 x 254	406	254	762	559	305	127	19	356	178	248	267	51	155
TAMAR PLUS	508 x 406	508	406	864	711	381	203	19	356	178	286	292	51	229
TAMAR	610 x 305	610	305	965	610	330	152	19	356	178	324	319	51	200

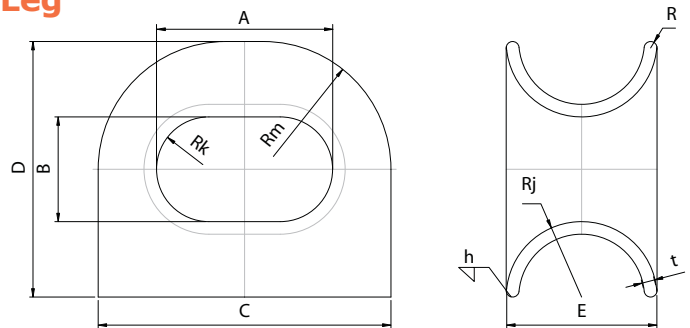
## Deck Mounted Panama Bows - Taper Style



### Specifications - Deck Mounted Panama Bows - Taper Style

Std	Size	A	B	C	D	E	Rj	Rk	Rm	R	t	h	Wt Kgs
DVS 47005 Danish Std	400 x 250	400	250	900	610	360	180	125	305	15	30	10	

## Deck Mounted Panama Bows - Short Leg



### Specifications - Deck Mounted Panama Bows - Short Leg

Std	Size	A	B	C	D	E	Rj	Rk	Rm	R	t	h	Wt Kgs
VIS 3 Swedish Std	300 x 200	300	200	530	430	230	115	100	215	12.5	25	8	85
VIS 3 Swedish Std	400 x 250	400	250	760	610	360	180	125	305	12.5	25	8	185
DVS 47005 Danish Std	300 x 250	300	250	660	610	360	180	125	305	10	20	6	117
DVS 47005 Danish Std	400 x 250	400	250	760	610	360	180	125	305	12.5	25	8	185
NS 2590 Norsk Std	300 x 250	300	250	660	610	360	180	125	305	10	20	SEE W.P.	117

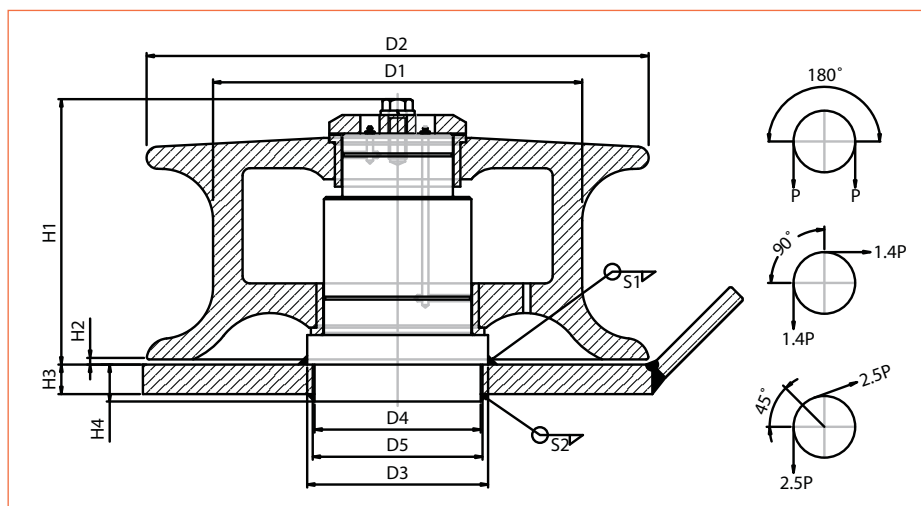
# Mooring Rollers and Pedestal Rollers



## Mooring Rollers

Rollers can be supplied with a circular base plate as an optional extra (as shown).

For more information on Mooring Rollers please call +44 (0)121 568 3420.



### Specifications - Mooring Rollers

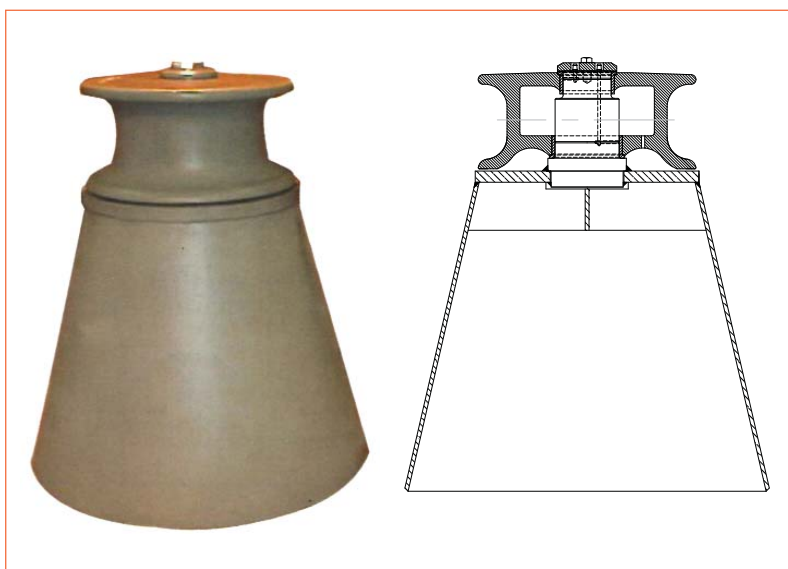
Size	D1	D2	D3	D4	D5	H1	H2	H3	H4	S1	S2	P tonnes
150	150	240	105	85	90	158	5	25	40	8	6	15.8
200	200	310	130	110	115	190	5	25	40	8	6	19.8
250	250	380	150	130	135	245	6	25	40	8	8	28.5
300	300	440	170	150	155	270	7	35	50	8	8	33.6
350	350	500	190	170	175	294	7	35	50	10	10	44.8
400	400	560	200	180	185	332	7	35	50	12	12	58
450	450	630	225	205	210	341	7	35	50	12	12	64.2
500	500	680	245	225	230	358	7	40	50	15	15	84.3

P = breaking load in tonnes on the line which is to be used with the roller fairlead.  
Please state if horn is required.

## Pedestal Rollers

The base size of pedestal rollers can be manufactured to suit your requirements and they're also available with tubular base.

All Pedestal Rollers can be made to your exact specifications, please call +44 (0)121 568 3420 for more information.



# Ansell Jones Ltd.



**GLOBAL SOLUTIONS** – DESIGNING AND MANUFACTURING MECHANICAL HANDLING SOLUTIONS FOR THE ENERGY INDUSTRY

**Ansell Jones Ltd.**

Unit 101, Axxess 10, Bentley Road South, Darlaston, England, WS10 8LQ

Main: +44 (0) 121 568 3420 Fax: +44 (0) 121 526 2201

[www.anselljones.com](http://www.anselljones.com) [www.tscoffshore.com](http://www.tscoffshore.com)